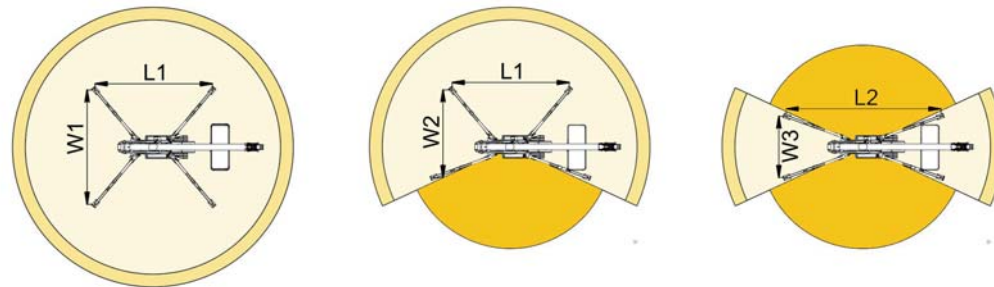
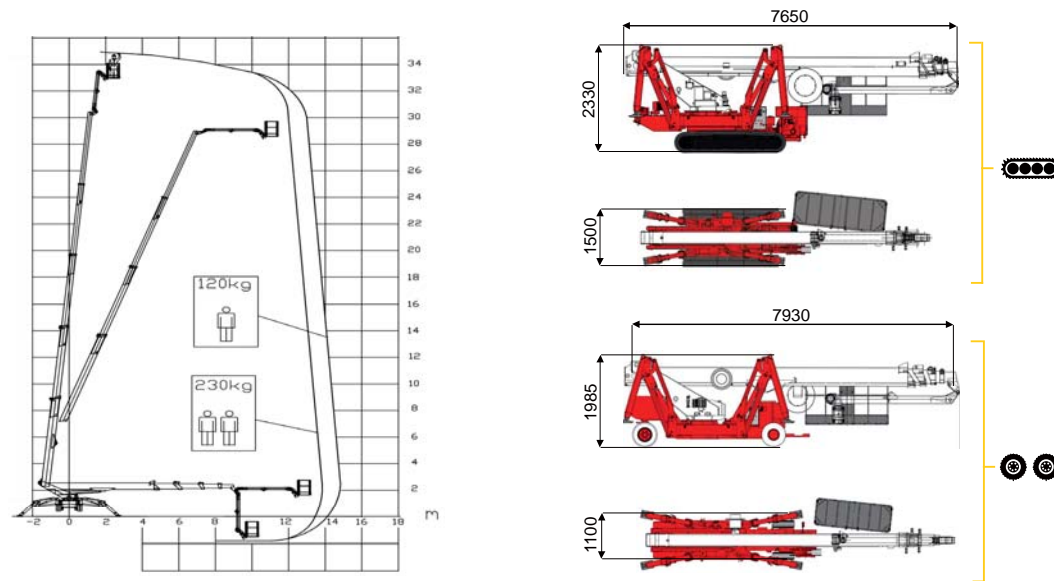




35 m ↑
15 m →
230 Kg 🧑🧑



| | | | | | | | |
|--------|--------|------------|---------|---------|---------|---------|---------|
| 13,5 m | 15 m | 8 m | L1 | L2 | W1 | W2 | W3 |
| 230 kg | 120 kg | 120/230 kg | 4980 mm | 5930 mm | 4200 mm | 3476 mm | 2740 mm |

BI-ENERGY
Diesel+AC



| | | | | | | | | | | | | | | | | |
|----------|-----|------|------|--------|------|------|-----------|---------|-------------|-----|-----|----------|---------|-------|------------------------|------------------------|
| TSJ 35/C | 🔋 | 35 m | 15 m | 230 kg | 170° | 660° | 180x70 cm | 90°+80° | 2,74-4,20 m | 14% | 49% | 2,4 km/h | 6600 kg | 42 kN | 3,16 kN/m ² | 4,79 kN/m ² |
| TSJ 35/R | ⊙ ⊙ | 35 m | 14 m | 230 kg | 170° | 660° | 180x70 cm | 90°+80° | 2,74-4,20 m | 31% | 12% | 1,2 km/h | 6800 kg | 42 kN | 3,25 kN/m ² | 4,76 kN/m ² |

Available version:

- BI-ENERGY (DIESEL+AC)
- ECO (DC+AC)
- HYBRID (DIESEL+DC)

Characteristics and technical data are informative only and subjected to change without notice.