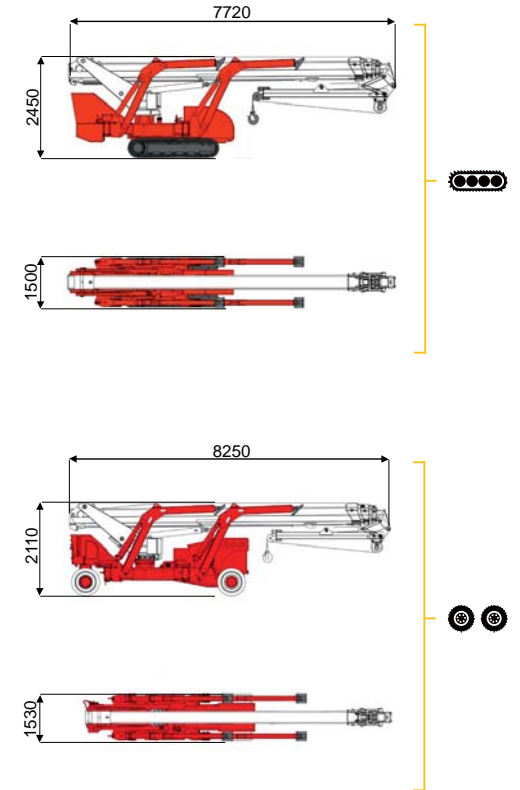
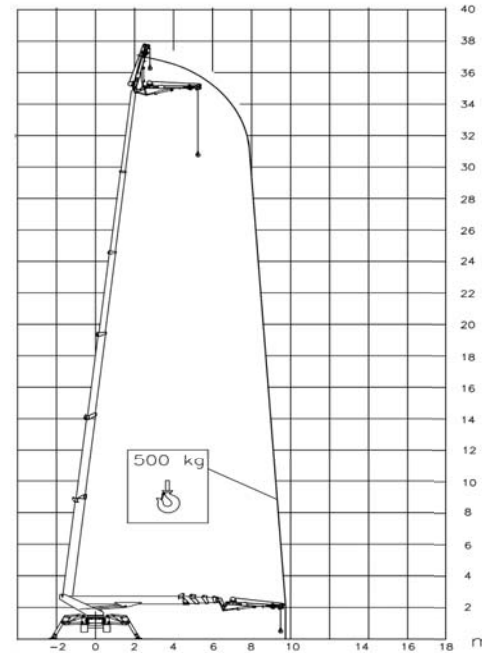


37 m ↑  
9,7 m →  
500 Kg ⚖️



BI-ENERGY  
Diesel+AC



TSJ 39/C



37 m

9,7 m

500 kg

660°

2,92-4,7 m

18%

40%

2,2 km/h

8200 kg

47 kN

3,52 kN/m<sup>2</sup>

4,43 kN/m<sup>2</sup>

TSJ 39/R



37 m

9,7 m

500 kg

660°

2,92-4,7 m

31%

12%

1,4 km/h

7600 kg

47 kN

3,26 kN/m<sup>2</sup>

3,84 kN/m<sup>2</sup>

Available version:

BI-ENERGY (DIESEL+AC)  
ECO (DC+AC)  
HYBRID (DIESEL+DC)

Characteristics and technical data are informative only and subjected to change without notice.