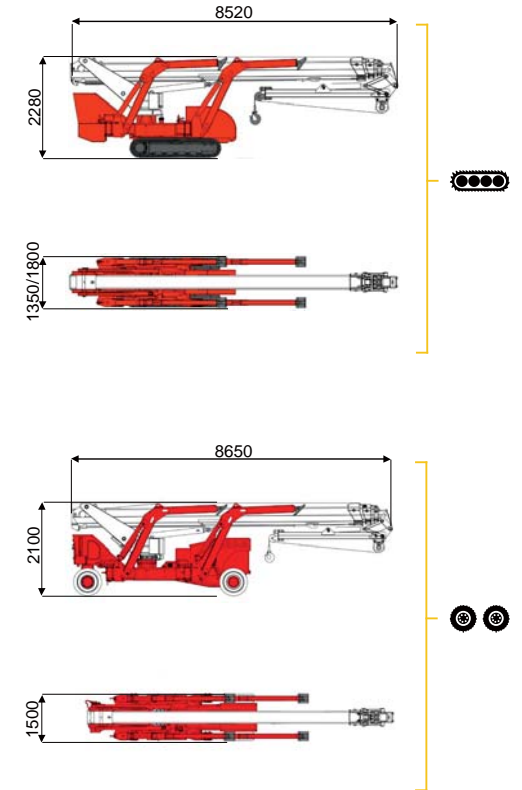
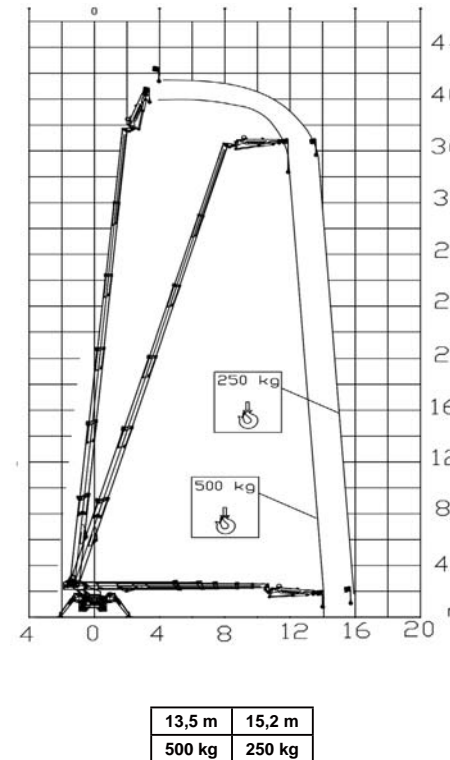




41,7 m ↑
15,2 m →
500 Kg ⚙



BI-ENERGY
Diesel+AC



XTJ 43+/C



41,7 m

15,2 m

500 kg

660°

3,64-5,23 m

23%

38%

2,5 km/h

10900 kg

75 kN

3,51 kN/m²

5,33 kN/m²

XTJ 43+/R



41,7 m

15,2 m

500 kg

660°

3,64-5,23 m

23%

16%

1,4 km/h

10900 kg

75 kN

3,51 kN/m²

5,25 kN/m²

Available version:

BI-ENERGY (DIESEL+AC)
ECO (DC+AC)
HYBRID (DIESEL+DC)

Characteristics and technical data are informative only and subjected to change without notice.



CE

EAC

Palazzani
INDUSTRIE

COMPANY WITH
QUALITY SYSTEM
CERTIFIED BY DNV GL
= ISO 9001 =

Palazzani Industrie S.p.A.
Via del Pavione, 4 - 25050 - Paderno F.C. (BS) - Italy
Tel. (+39) 0306857073
platforms@palazzani.it
www.palazzani.it

NC 672 A 20