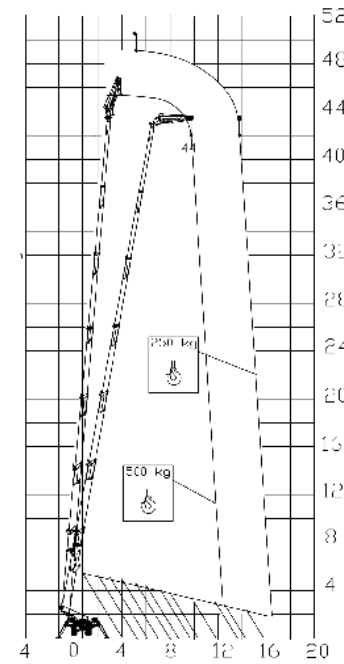
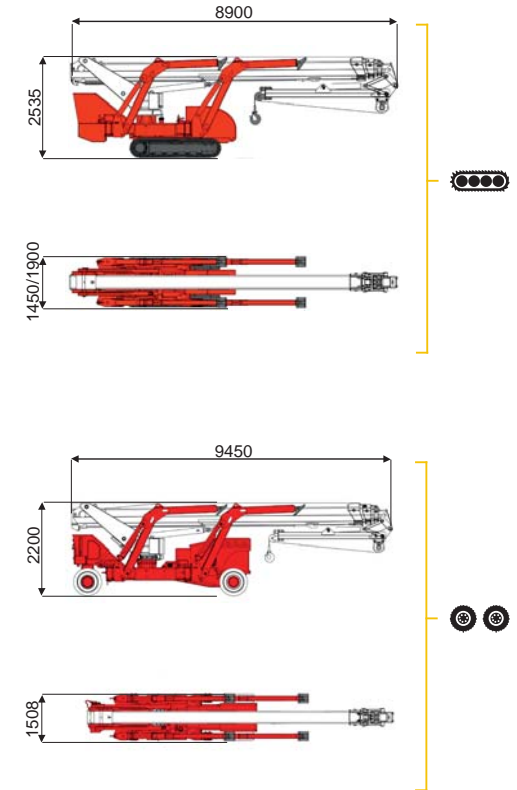




51 m ↑  
16,5 m →  
500 Kg ⚙️



12,5 m	16,5 m
500 kg	250 kg



BI-ENERGY  
Diesel+AC



XTJ 52+/C



51 m

16,5 m

500 kg

660°

4,13-5,17 m

16%

42%

2 km/h

14000 kg

95 kN

4,19 kN/m<sup>2</sup>

6,56 kN/m<sup>2</sup>

XTJ 52+/R



51 m

16,5 m

500 kg

660°

4,13-5,17 m

16%

16%

1,2 km/h

13000 kg

95 kN

3,89 kN/m<sup>2</sup>

5,73 kN/m<sup>2</sup>

Available version:

BI-ENERGY (DIESEL+AC)  
ECO (DC+AC)  
HYBRID (DIESEL+DC)

Characteristics and technical data are informative only and subjected to change without notice.