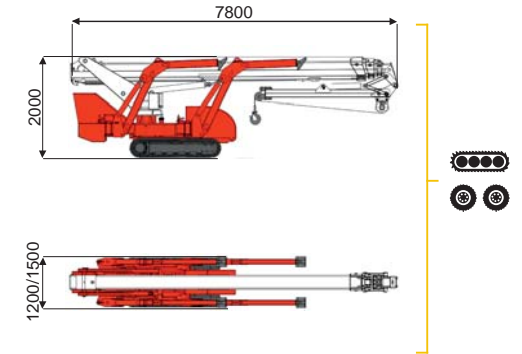


10,4 m	12,7 m
500 kg	250 kg



XTJ 37+/C/R 33,7 m 12,7 m 500 kg 660° 2,68-5,26 m 23% 36% 2,5 km/h 7500 kg 55 kN 2,58 kN/m² 5,34 kN/m²

Available version:

- BI-ENERGY (DIESEL+AC)
- ECO (DC+AC)
- HYBRID (DIESEL+DC)

Characteristics and technical data are informative only and subjected to change without notice.