

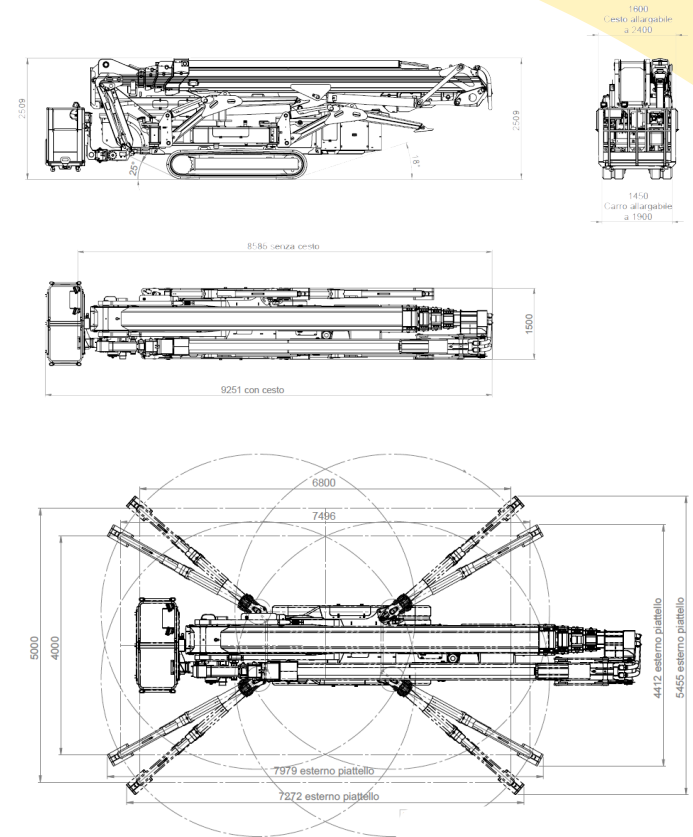
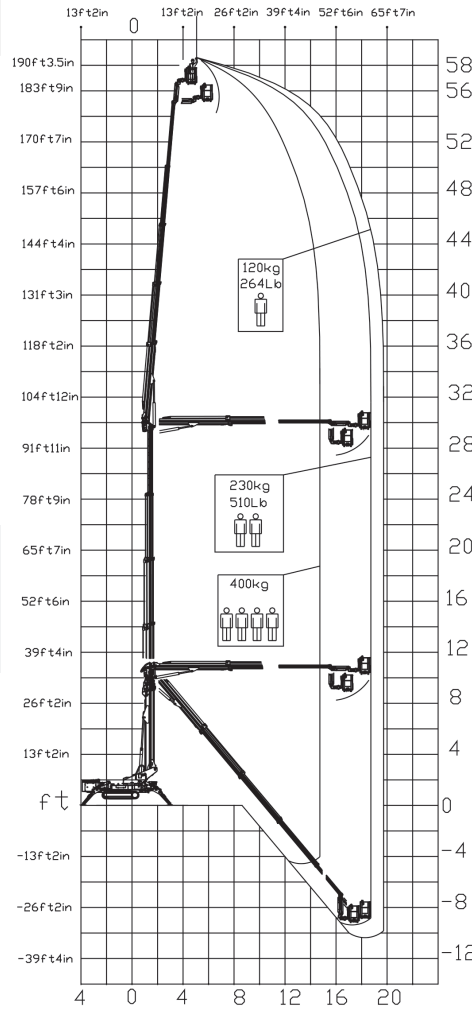
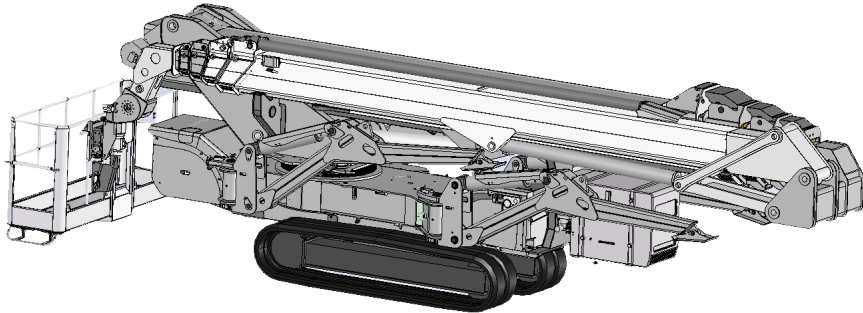



**BI-ENERGY**

 Diesel  
32,5 kW

 Single-phase  
Electric motor  
230 VAC - 2,2 kW



TTZJ 58/C  58 m 20 m 400 kg\* 660° 180x70 cm 90°+80° 4,41-5,45 m 16500 kg

Available power options:

**BI-ENERGY** (DIESEL+AC)

\*TEMPORARY DATA

Characteristics and technical data are informative only and subjected to change without notice.

Palazzani Industrie S.p.A.

Via del Pavione, 4 - 25050 - Paderno F.C. (BS) - Italy

Tel. (+39) 0306857073

info@palazzani.it

www.palazzani.it

