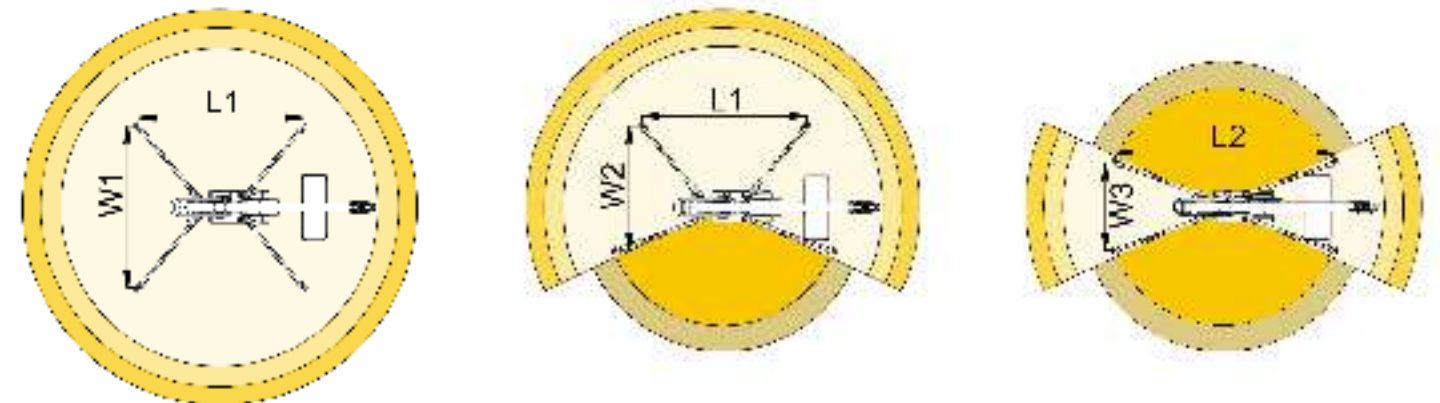
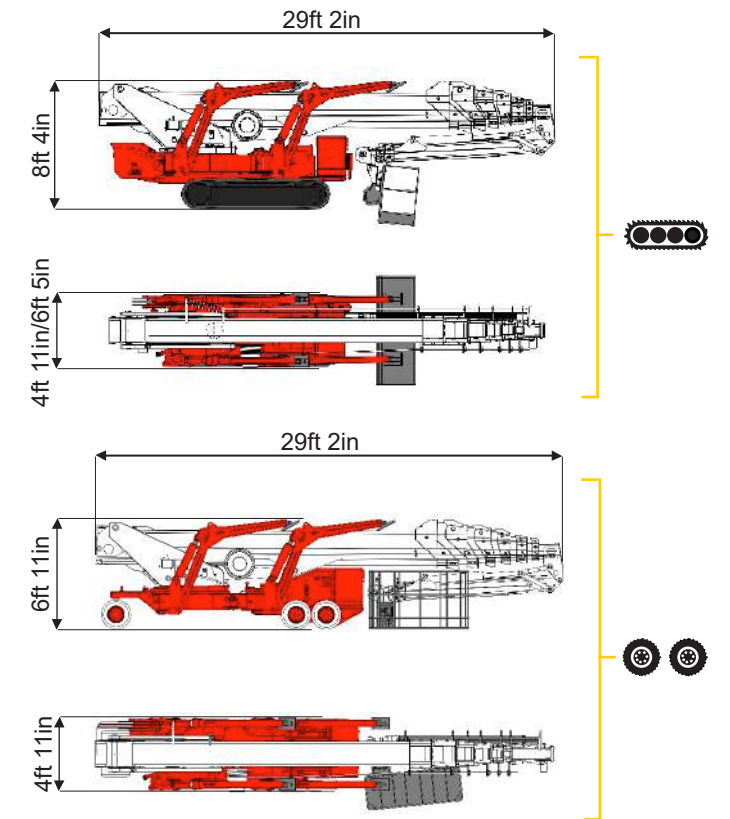
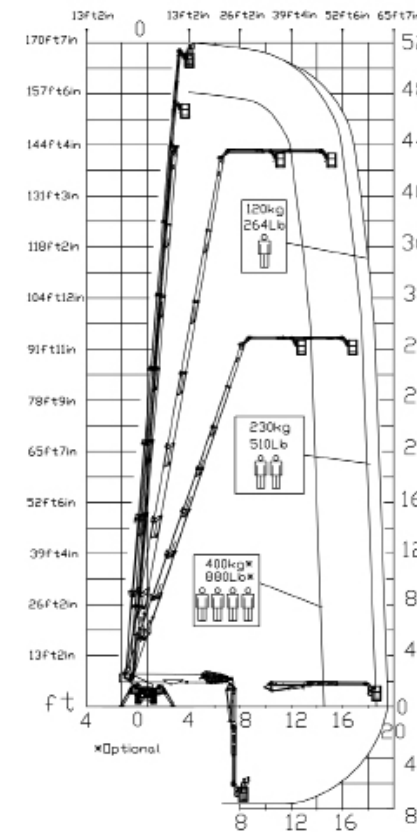




170ft 7in ↑
63ft 1in →
880 lb* 👤👤👤👤



55ft 1in	60ft 8in	63ft 12in	48ft 7in	54ft 2in	L1	L2	W1	W2	W3
880 lb*	510 lb	264 lb	880 lb*	264/510 lb	21ft 2in	23ft 7in	16ft 12in	15ft 3in	13ft 7in

BI-ENERGY Diesel+AC	Icons	Height	Reach	Capacity	Rotation	Swing	Extension	Angle	Reach	Grade	Speed	Weight	Pressure	Pressure	
XTJ 170+/C	👤👤👤👤	170ft 7in	63ft 1in	880 lb*	170°	660°	7ft 10inx2ft 4in	90°+80°	13ft 7in-16ft 12in	16%	42%	0,62 mph	33025 lb	21357 lb	93,11 psf 145,61 psf
XTJ 170+/R	👤👤	170ft 7in	63ft 1in	880 lb*	170°	660°	7ft 10inx2ft 4in	90°+80°	13ft 7in-16ft 12in	16%	21%	0,62 mph	28660 lb	21357 lb	93,11 psf 145,61 psf

Available version:

- BI-ENERGY (DIESEL+AC)
- ECO (DC+AC)
- HYBRID (DIESEL+DC)

Characteristics and technical data are informative only and subjected to change without notice.



COMPANY WITH
QUALITY SYSTEM
CERTIFIED BY DNV GL
= ISO 9001 =

Palazzani Industrie S.p.A.
Via del Pavione, 4 - 25050 - Paderno F.C. (BS) - Italy
Tel. (+39) 0306857073
platforms@palazzani.it
www.palazzani.it