



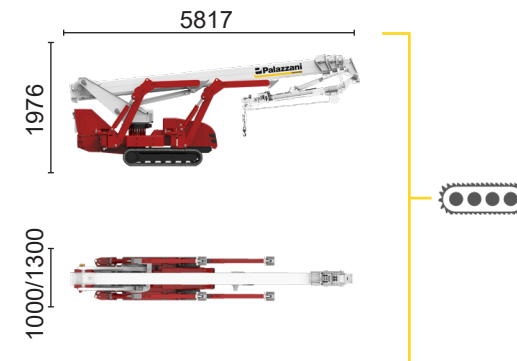
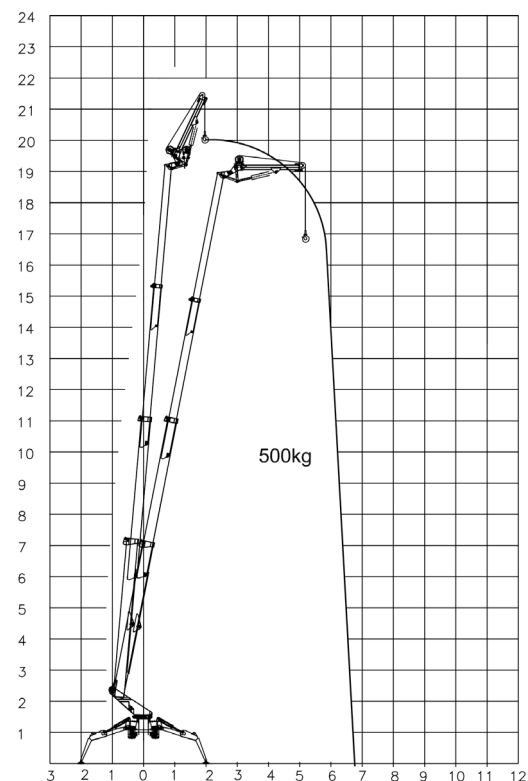
**BI-ENERGY**



Diesel  
10,6 kW



Single-phase  
Electric motor  
230VAC - 2,2 kW



TSJ 23.1/C 21,5 m 7 m 500 kg 660° 150x70 cm 90°+80° 2,75-4,35 m 36% 29% 2,4 km/h 3370 kg 19 kN 1,58 kN/m<sup>2</sup> 3,86 kN/m<sup>2</sup>

Available power options:

**BI-ENERGY** (DIESEL+AC)

**ECO** (AC+BATTERY)

Characteristics and technical data are informative only and subjected to change without notice.

Palazzani Industrie S.p.A.

Via del Pavione, 4 - 25050 - Paderno F.C. (BS) - Italy

Tel. (+39) 0306857073

info@palazzani.it

www.palazzani.it




QUALITY SYSTEM  
CERTIFIED BY BUREAU VERITAS  
= ISO 9001=

NC 804 A 22




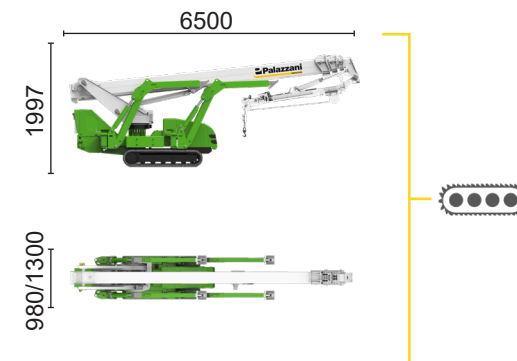
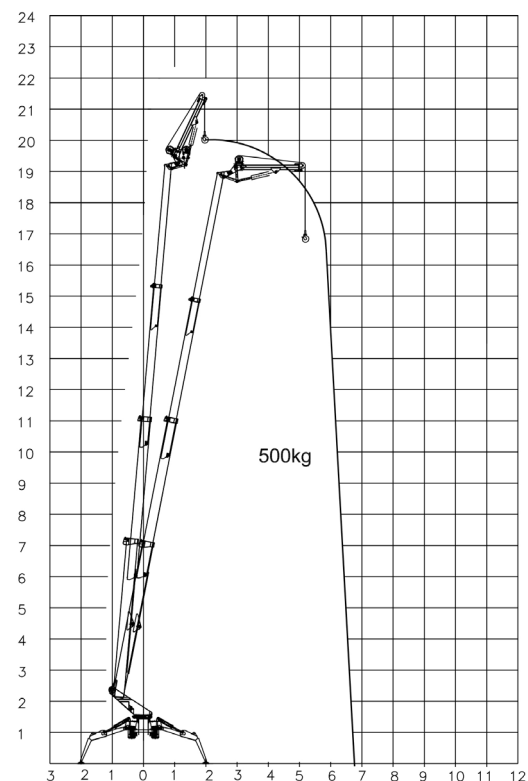
**ECO**








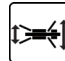


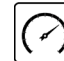




---

 Single-phase  
Electric motor

---

 Lithium iron  
phosphate battery  
LiFePO4  
48V 360Ah



TZX 23.1/C		 21,5 m	 7 m	 500 kg	 660°	 150x70 cm	 90°+80°	 2,75-4,35 m	 36%	 29%	 1,5 km/h	 3370 kg	 19 kN	 1,58 kN/m <sup>2</sup>	 3,86 kN/m <sup>2</sup>
------------	---	--	---	--	--	--	---	---	---	---	--	---	---	--	--

Available power options:

**BI-ENERGY** (DIESEL+AC)

**ECO** (AC+BATTERY)

Characteristics and technical data are informative only and subjected to change without notice.

Palazzani Industrie S.p.A.

Via del Pavione, 4 - 25050 - Paderno F.C. (BS) - Italy

Tel. (+39) 0306857073

info@palazzani.it

www.palazzani.it



QUALITY SYSTEM  
CERTIFIED BY BUREAU VERITAS  
= ISO 9001=

NC 806 A 22