



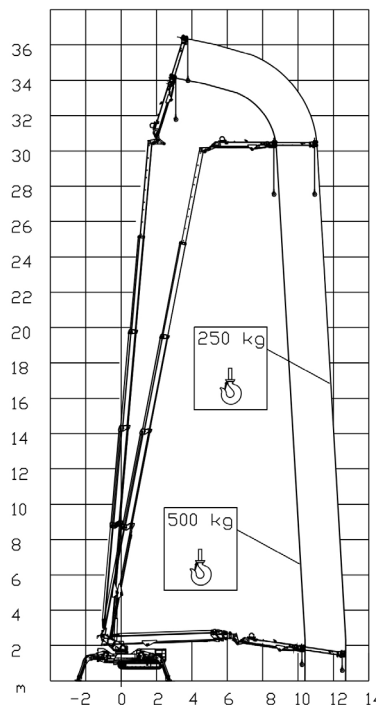
BI-ENERGY



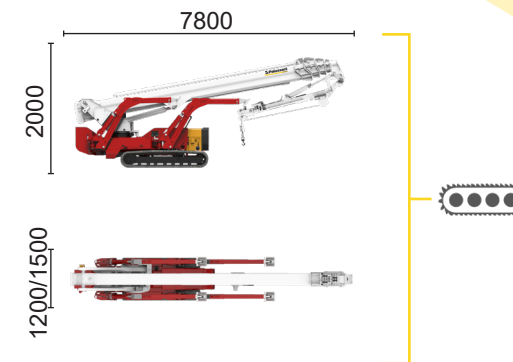
Diesel
18,2 kW



Single-phase
Electric motor
230VAC - 3 kW



500 kg	250 kg
10,4 m	12,7 m



XTJ 37+/C 36 m 12,7 m 500 kg 660° 180x70 cm 90°+80° 2,68-5,26 m 23% 36% 2,5 km/h 7615 kg 55 kN 2,62 kN/m2 5,42 kN/m2

Available power options:

BI-ENERGY (DIESEL+AC)

ECO (AC+BATTERY)

Characteristics and technical data are informative only and subjected to change without notice.

Palazzani Industrie S.p.A.

Via del Pavione, 4 - 25050 - Paderno F.C. (BS) - Italy

Tel. (+39) 0306857073

info@palazzani.it

www.palazzani.it



QUALITY SYSTEM
CERTIFIED BY BUREAU VERITAS
= ISO 9001=



NC 839 A 22



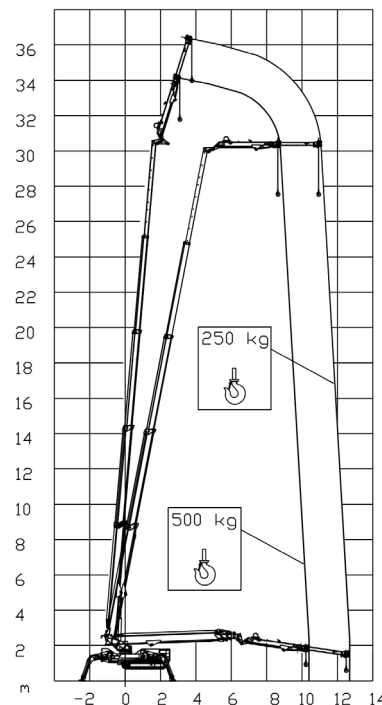
ECO



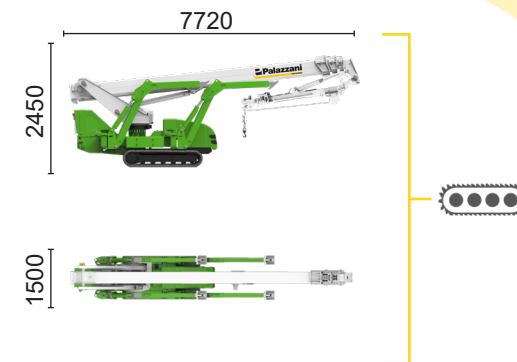
Single-phase
Electric motor
230VAC - 16 kW




Lithium iron
phosphate battery
LiFePO4
48V - 420 Ah



500 kg	250 kg
10,4 m	12,7 m



XTJ 37+/C  36 m 12,7 m 500 kg 660° 180x70 cm 90°+80° 2,68-5,26 m 23% 36% 2,5 km/h 7615 kg 55 kN 2,62 kN/m² 5,42 kN/m²

Available power options:

BI-ENERGY (DIESEL+AC)

ECO (AC+BATTERY)

Characteristics and technical data are informative only and subjected to change without notice.

Palazzani Industrie S.p.A.

Via del Pavione, 4 - 25050 - Paderno F.C. (BS) - Italy

Tel. (+39) 0306857073

info@palazzani.it

www.palazzani.it



QUALITY SYSTEM
CERTIFIED BY BUREAU VERITAS
= ISO 9001=

NC 841 A 22