
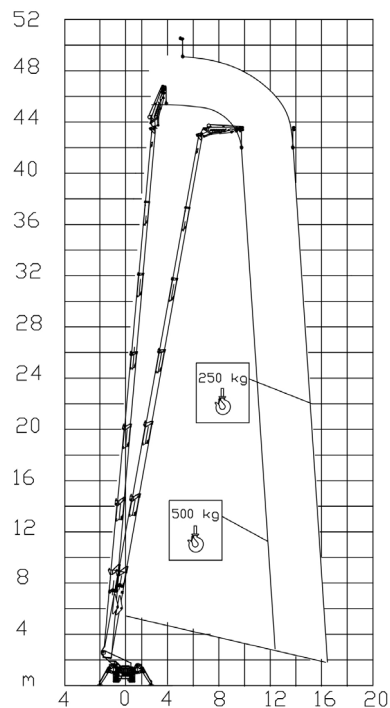




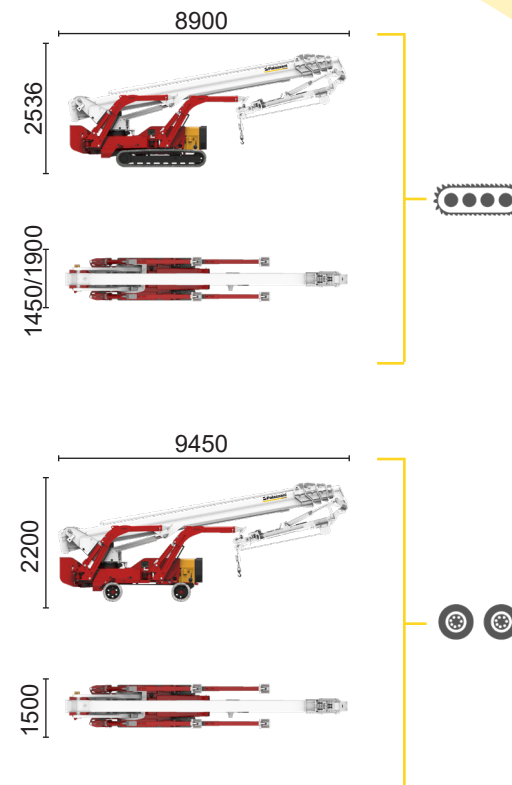
BI-ENERGY

 Diesel
32,5 kW

 Single-phase
Electric motor
230VAC - 2,2 kW



| | |
|--------|--------|
| 500 kg | 250 kg |
| 12,5 m | 16,5 m |



| Model | Icon 1 | Icon 2 | Icon 3 | Icon 4 | Icon 5 | Icon 6 | Icon 7 | Icon 8 | Icon 9 | Icon 10 | Icon 11 | Icon 12 | Icon 13 | Icon 14 | Icon 15 |
|-----------|--------|--------|--------|--------|--------|-----------|---------|-------------|--------|---------|----------|----------|---------|------------------------|------------------------|
| XTJ 52+/C | | 51 m | 16,5 m | 500 kg | 660° | 240x70 cm | 90°+80° | 4,13-5,17 m | 16% | 42% | 2 km/h | 14980 kg | 95 kN | 4,49 kN/m ² | 7,01 kN/m ² |
| XTJ 52+/R | | 51 m | 16,5 m | 500 kg | 660° | 240x70 cm | 90°+80° | 4,13-5,17 m | 16% | 21% | 1,2 km/h | 13000 kg | 95 kN | 3,89 kN/m ² | 7,64 kN/m ² |

Available power options:

BI-ENERGY (DIESEL+AC)

Characteristics and technical data are informative only and subjected to change without notice.

Palazzani Industrie S.p.A.

Via del Pavione, 4 - 25050 - Paderno F.C. (BS) - Italy

Tel. (+39) 0306857073

info@palazzani.it

www.palazzani.it




QUALITY SYSTEM
CERTIFIED BY BUREAU VERITAS
= ISO 9001=

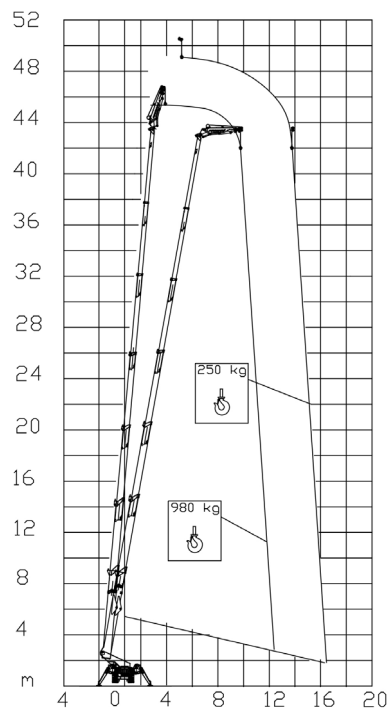
NC 849 A 22



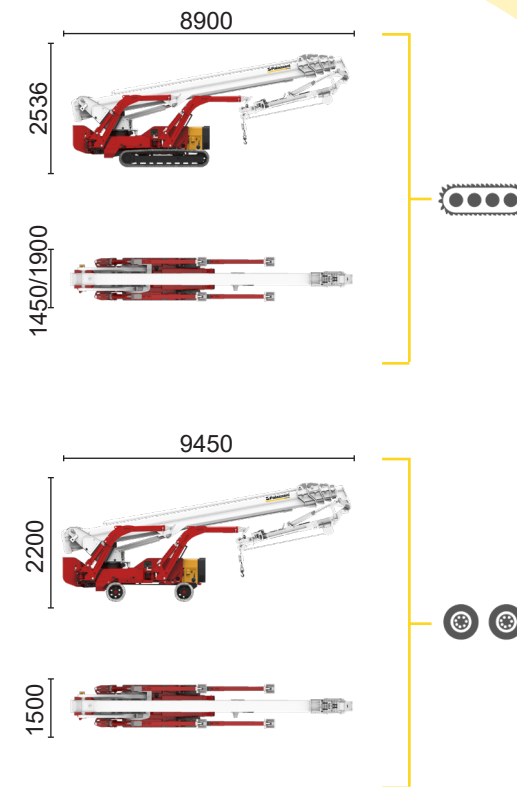
BI-ENERGY



 Diesel
32,5 kW

 Single-phase
Electric motor
230VAC - 2,2 kW



| | |
|--------|--------|
| 980 kg | 250 kg |
| 12,5 m | 16,5 m |



| | | | | | | | | | | | | | | | |
|-----------|---|------|--------|--------|------|-----------|---------|-------------|-----|-----|----------|----------|-------|------------------------|------------------------|
| XTJ 52+/C |  | 51 m | 16,5 m | 980 kg | 660° | 240x70 cm | 90°+80° | 4,13-5,17 m | 16% | 42% | 2 km/h | 14980 kg | 95 kN | 4,49 kN/m ² | 7,01 kN/m ² |
| XTJ 52+/R |  | 51 m | 16,5 m | 980 kg | 660° | 240x70 cm | 90°+80° | 4,13-5,17 m | 16% | 21% | 1,2 km/h | 13000 kg | 95 kN | 3,89 kN/m ² | 7,64 kN/m ² |

Available power options:

BI-ENERGY (DIESEL+AC)

Characteristics and technical data are informative only and subjected to change without notice.

Palazzani Industrie S.p.A.

Via del Pavione, 4 - 25050 - Paderno F.C. (BS) - Italy

Tel. (+39) 0306857073

info@palazzani.it

www.palazzani.it



QUALITY SYSTEM
CERTIFIED BY BUREAU VERITAS
= ISO 9001 =

NC 850 A 22