
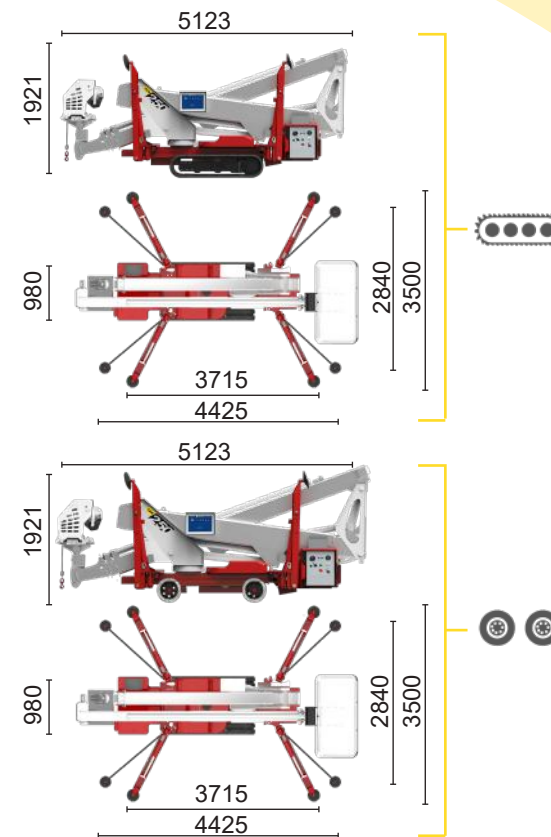
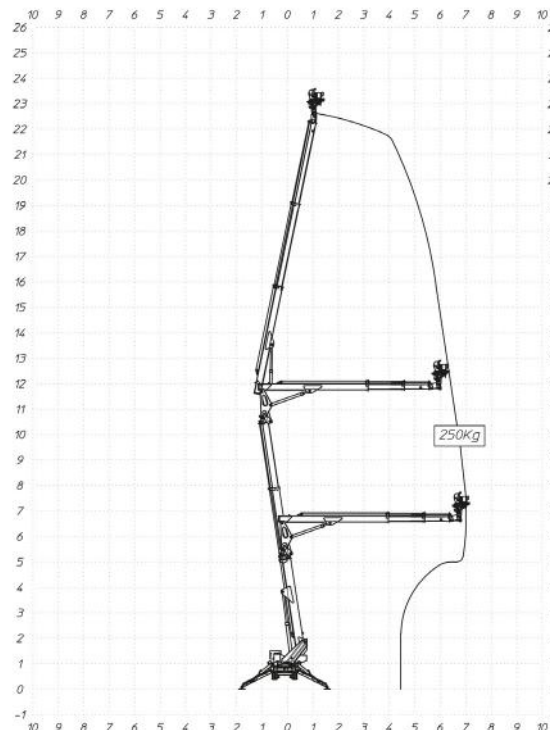






BI-ENERGY

 Diesel
10,6 kW

 Single-phase
Electric motor
230VAC - 2,5 kW



TZX 250/C		22,5 m	7 m	250 kg	360°	140x70 cm	90°+90°	2,84-3,5 m	19%	23%	2,4 km/h	2660 kg	19,5 kN	2,05 kN/m ²	3,71 kN/m ²
TZX 250/R		22,5 m	7 m	250 kg	360°	140x70 cm	90°+90°	2,84-3,5 m	19%	21%	1,5 km/h	2660 kg	19,5 kN	2,05 kN/m ²	3,71 kN/m ²

Available power options:

BI-ENERGY (DIESEL+AC)

ECO (AC+BATTERY)

Characteristics and technical data are informative only and subjected to change without notice.

Palazzani Industrie S.p.A.

Via del Pavione, 4 - 25050 - Paderno F.C. (BS) - Italy

Tel. (+39) 0306857073


info@palazzani.it


www.palazzani.it

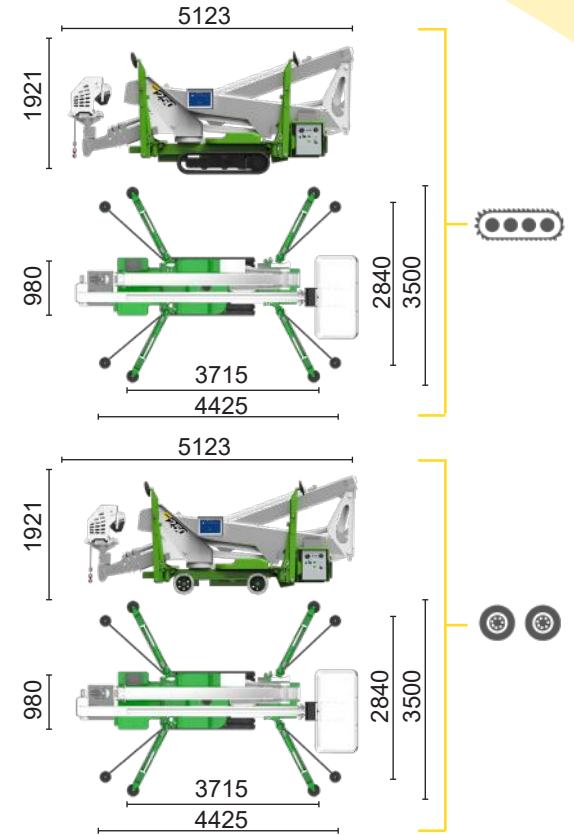
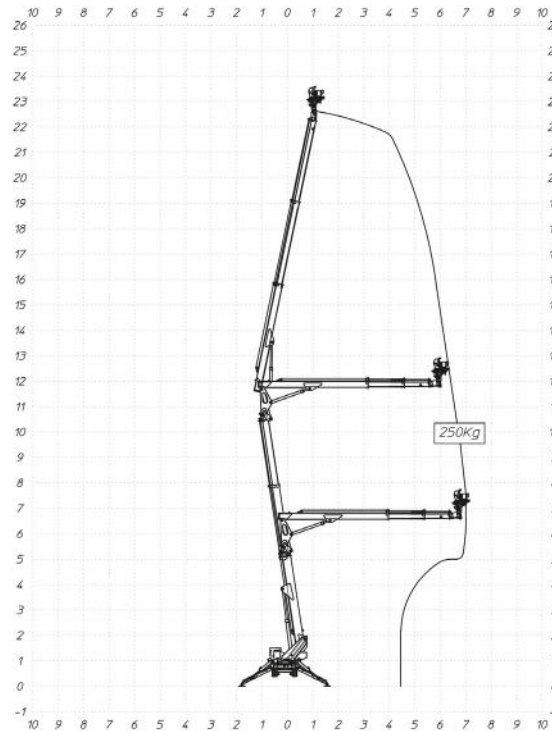






ECO

 Single-phase
Electric motor
230 VAC - 5,5 kW

 Lithium iron
phosphate battery
LiFePO4
24V 480Ah



TZX 250/C		22,5 m	7 m	250 kg	360°	140x70 cm	90°+90°	2,84-3,5 m	19%	23%	1,5 km/h	2660 kg	19,5 kN	2,05 kN/m ²	3,71 kN/m ²
TZX 250/R		22,5 m	7 m	250 kg	360°	140x70 cm	90°+90°	2,84-3,5 m	19%	21%	1 km/h	2660 kg	19,5 kN	2,05 kN/m ²	3,71 kN/m ²

Available power options:

BI-ENERGY (DIESEL+AC)

ECO (AC+BATTERY)

Characteristics and technical data are informative only and subjected to change without notice.

Palazzani Industrie S.p.A.

Via del Pavione, 4 - 25050 - Paderno F.C. (BS) - Italy

Tel. (+39) 0306857073

info@palazzani.it

www.palazzani.it



NC 802 A 22