



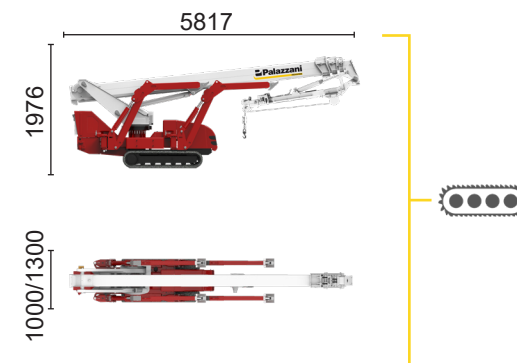
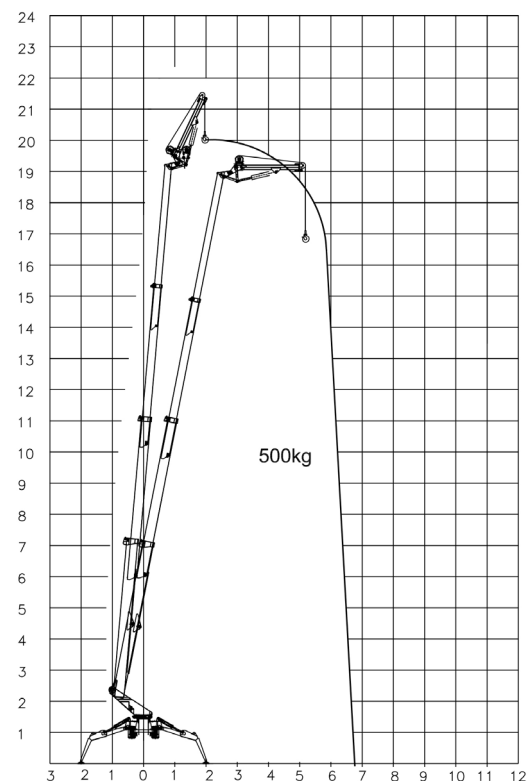
BI-ENERGY



Diesel
10,6 kW



Single-phase
Electric motor
230VAC - 2,2 kW



TSJ 23.1/C 21,5 m 7 m 500 kg 660° 150x70 cm 90°+80° 2,75-4,35 m 36% 29% 2,4 km/h 3370 kg 19 kN 1,58 kN/m² 3,86 kN/m²

Available power options:

BI-ENERGY (DIESEL+AC)

ECO (AC+BATTERY)

Characteristics and technical data are informative only and subjected to change without notice.

Palazzani Industrie S.p.A.

Via del Pavione, 4 - 25050 - Paderno F.C. (BS) - Italy

Tel. (+39) 0306857073


info@palazzani.it


www.palazzani.it

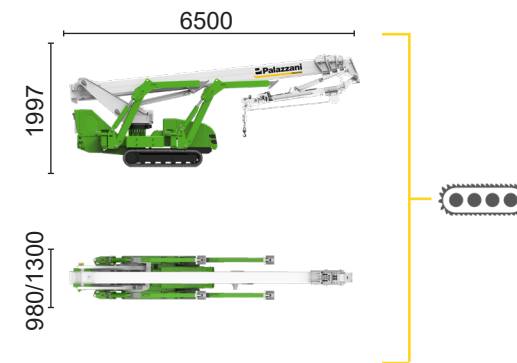
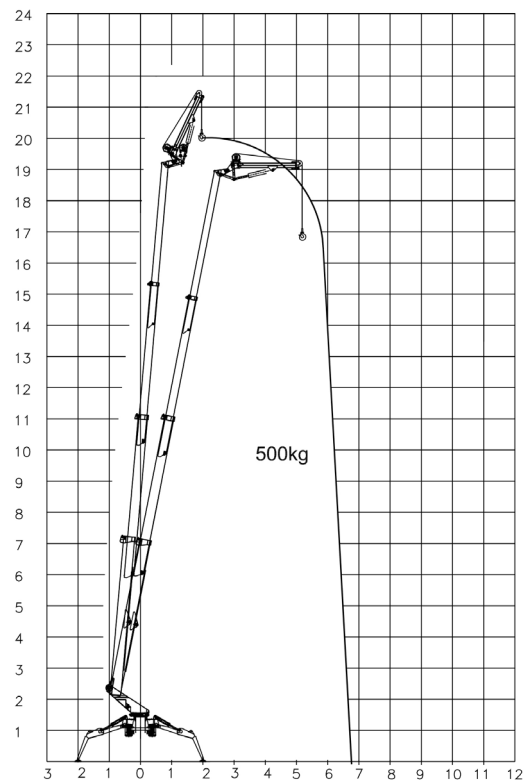













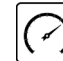





ECO

 Single-phase
Electric motor

 Lithium iron
phosphate battery
LiFePO4
48V 360Ah



TZX 23.1/C		 21,5 m	 7 m	 500 kg	 660°	 150x70 cm	 90°+80°	 2,75-4,35 m	 36%	 29%	 1,5 km/h	 3370 kg	 19 kN	 1,58 kN/m ²	 3,86 kN/m ²
------------	---	--	---	--	--	---	--	---	---	---	--	---	---	--	--

Available power options:

BI-ENERGY (DIESEL+AC)

ECO (AC+BATTERY)

Characteristics and technical data are informative only and subjected to change without notice.

Palazzani Industrie S.p.A.

Via del Pavione, 4 - 25050 - Paderno F.C. (BS) - Italy

Tel. (+39) 0306857073

info@palazzani.it

www.palazzani.it

