



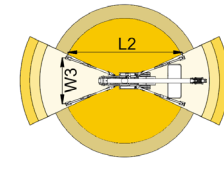
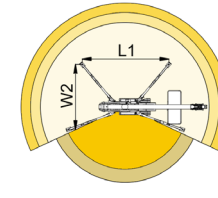
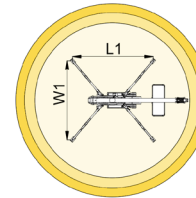
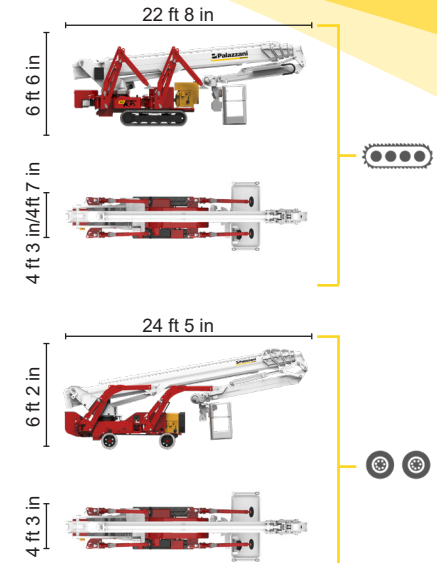
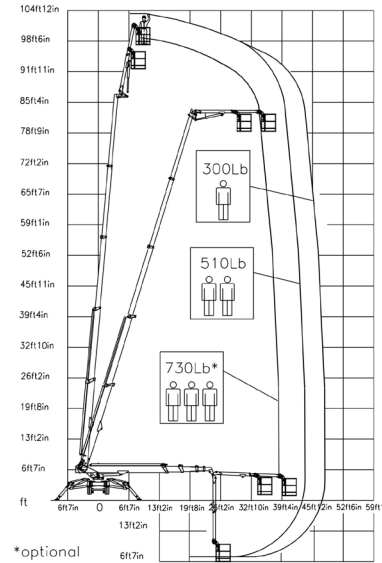
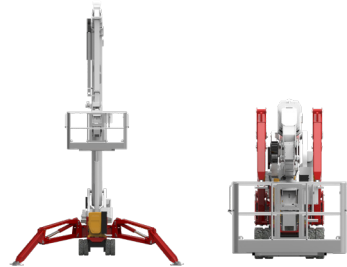
BI-ENERGY



Diesel
18,2 kW



Single-phase
Electric motor
110VAC - 3 kW



38 ft 5 in	43 ft 8 in	46 ft 11 in	27 ft 7 in	32 ft 10 in	L1	L2	W1	W2	W3
730 lb*	510 lb	264 lb	730 lb*	265/507 lb	16 ft 10 in	21 ft 2 in	15 ft 7 in	12 ft 5 in	9 ft 3 in



XTJ 105/C		104 ft 12 in	46 ft 11 in	730 lb*	660°	5 ft 11 in x 2 ft 4 in	90°+80°	9 ft 3 in/15 ft 7 in	16%	38%	1,9 mph	13095 lb	7868 lb	50,7 psf	99,8 psf
XTJ 105/W		104 ft 12 in	46 ft 11 in	730 lb*	660°	5 ft 11 in x 2 ft 4 in	90°+80°	9 ft 3 in/15 ft 7 in	16%	18%	1,2 mph	13095 lb	7868 lb	50,7 psf	92,5 psf

Available power options:

BI-ENERGY (DIESEL+AC)

ECO (AC+BATTERY)

Characteristics and technical data are informative only and subjected to change without notice.

Palazzani Industrie S.p.A.

Via del Pavione, 4 - 25050 - Paderno F.C. (BS) - Italy

Tel. (+39) 0306857073

info@palazzani.it

www.palazzani.it



QUALITY SYSTEM
CERTIFIED BY BUREAU VERITAS
= ISO 9001 =



NC 834 A 22



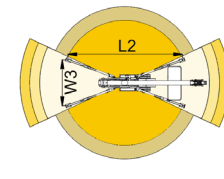
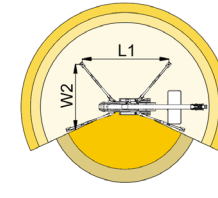
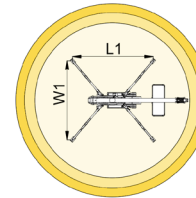
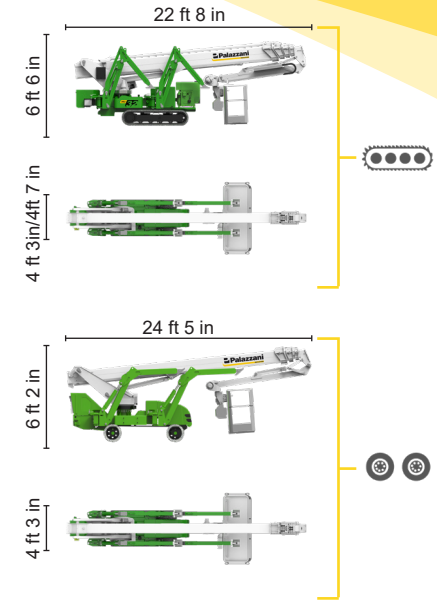
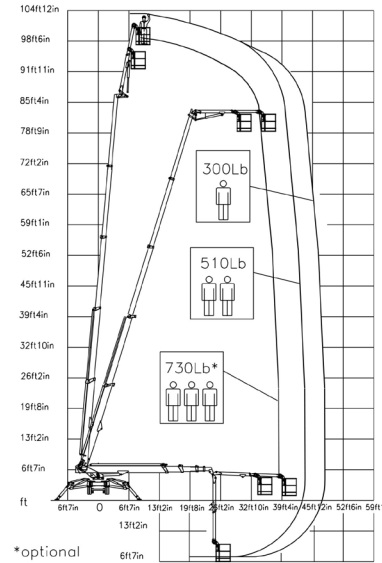
ECO



Single-phase
Electric motor
110VAC - 16 kW



Lithium iron
phosphate battery
LiFePO4
48V - 315 Ah



38 ft 5 in	43 ft 8 in	46 ft 11 in	27 ft 7 in	32 ft 10 in	L1	L2	W1	W2	W3
730 lb*	510 lb	264 lb	730 lb*	265/507 lb	16 ft 10 in	21 ft 2 in	15 ft 7 in	12 ft 5 in	9 ft 3 in



XTJ 105/C	XTJ 105/W	104 ft 12 in	46 ft 11 in	730 lb*	660°	5 ft 11 in x 2 ft 4 in	90°+80°	9 ft 3 in/15 ft 7 in	16%	38%	0,7 mph	13095 lb	7868 lb	50,7 psf	99,8 psf

Available power options:

BI-ENERGY (DIESEL+AC)

ECO (AC+BATTERY)

Characteristics and technical data are informative only and subjected to change without notice.

Palazzani Industrie S.p.A.

Via del Pavione, 4 - 25050 - Paderno F.C. (BS) - Italy

Tel. (+39) 0306857073

info@palazzani.it

www.palazzani.it



QUALITY SYSTEM
CERTIFIED BY BUREAU VERITAS
= ISO 9001 =



NC 836 A 22