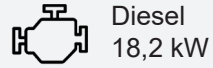




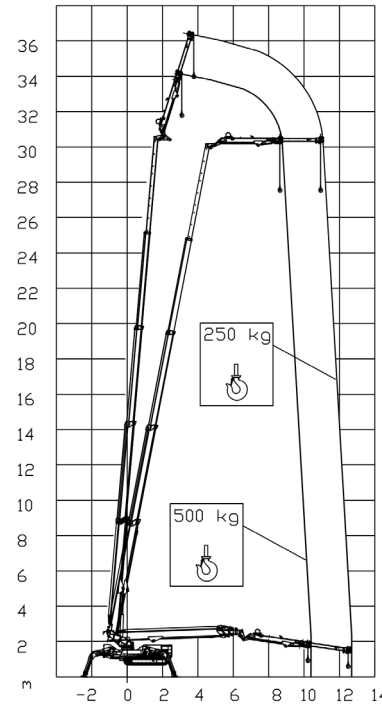
**BI-ENERGY**



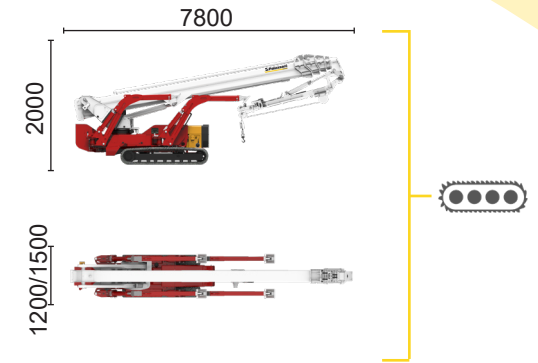
Diesel  
18,2 kW



Single-phase  
Electric motor  
230VAC - 3 kW



500 kg	250 kg
10,4 m	12,7 m



XTJ 37+/C		36 m	12,7 m	500 kg	660°	180x70 cm	90°+80°	2,68-5,26 m	23%	36%	2,5 km/h	7615 kg	55 kN	2,62 kN/m <sup>2</sup>	5,42 kN/m <sup>2</sup>
-----------	--	------	--------	--------	------	-----------	---------	-------------	-----	-----	----------	---------	-------	------------------------	------------------------

Available power options:

**BI-ENERGY** (DIESEL+AC)

**ECO** (AC+BATTERY)

Characteristics and technical data are informative only and subjected to change without notice.

Palazzani Industrie S.p.A.

Via del Pavione, 4 - 25050 - Paderno F.C. (BS) - Italy

Tel. (+39) 0306857073

info@palazzani.it

www.palazzani.it





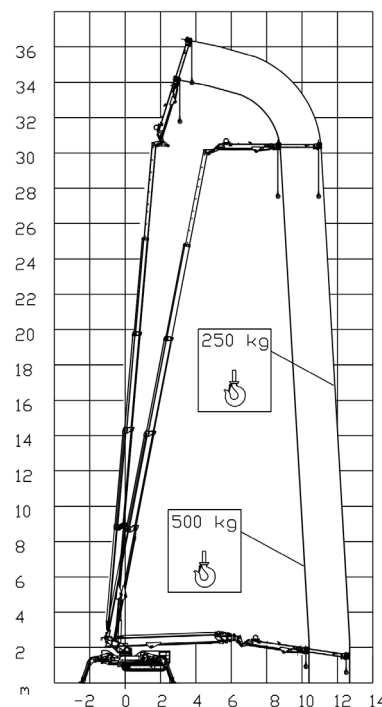
**ECO**



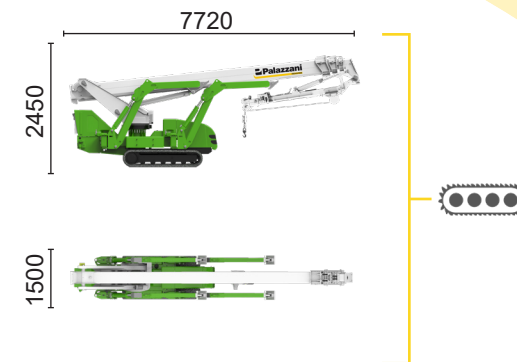
Single-phase  
Electric motor  
230VAC - 16 kW



Lithium iron  
phosphate battery  
LiFePO4  
48V - 420 Ah



500 kg	250 kg
10,4 m	12,7 m



XTJ 37+/C       36 m    12,7 m    500 kg    660°    180x70 cm    90°+80°    2,68-5,26 m    23%    36%    2,5 km/h    7615 kg    55 kN    2,62 kN/m2    5,42 kN/m2

Available power options:

**BI-ENERGY** (DIESEL+AC)

**ECO** (AC+BATTERY)

Characteristics and technical data are informative only and subjected to change without notice.

Palazzani Industrie S.p.A.

Via del Pavione, 4 - 25050 - Paderno F.C. (BS) - Italy

Tel. (+39) 0306857073

info@palazzani.it

www.palazzani.it

