

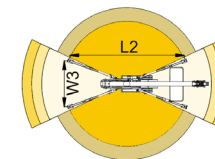
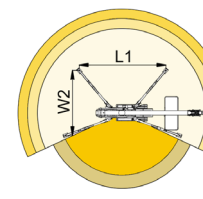
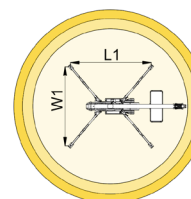
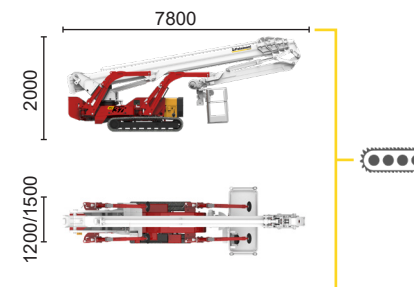
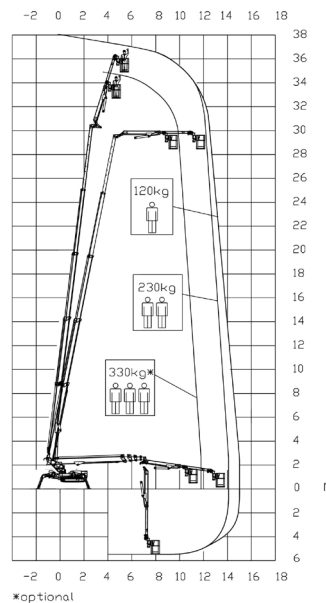
BI-ENERGY



Diesel
18,2 kW




Single-phase
Electric motor
230VAC - 3 kW



11,8 m	14,1 m	15 m	7,3 m	9,5 m	L1	L2	W1	W2	W3
330* kg	230 kg	120 kg	330* kg	120/230 kg	5535 mm	7160 mm	5260 mm	3840 mm	2680 mm



XTJ 37+/C  37 m 15 m 330 kg* 660° 180x70 cm 90°+80° 2,68-5,26 m 23% 36% 2,5 km/h 7615 kg 55 kN 2,62 kN/m2 5,42 kN/m2

Available power options:

BI-ENERGY (DIESEL+AC)

ECO (AC+BATTERY)

Characteristics and technical data are informative only and subjected to change without notice.

Palazzani Industrie S.p.A.

Via del Pavione, 4 - 25050 - Paderno F.C. (BS) - Italy

Tel. (+39) 0306857073

info@palazzani.it

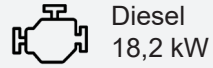
www.palazzani.it



NC 838 A 22



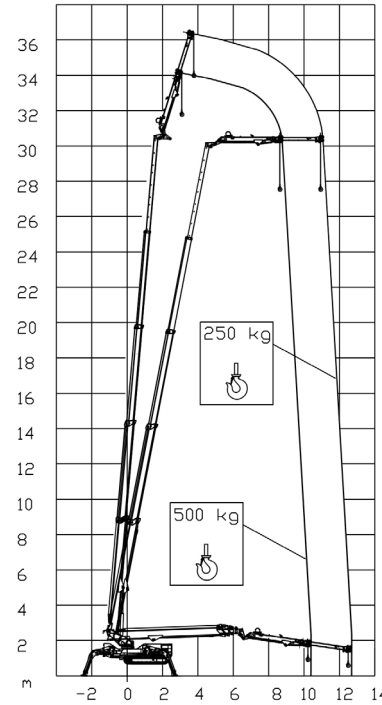
BI-ENERGY



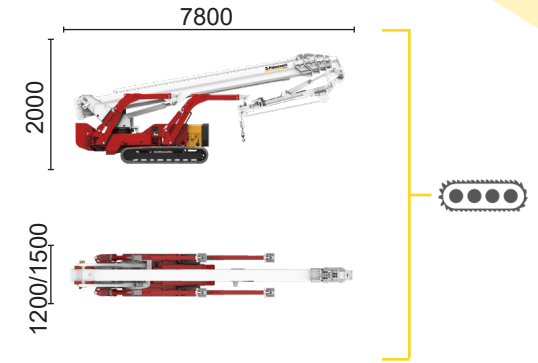
Diesel
18,2 kW



Single-phase
Electric motor
230VAC - 3 kW



500 kg	250 kg
10,4 m	12,7 m



XTJ 37+/C 36 m 12,7 m 500 kg 660° 180x70 cm 90°+80° 2,68-5,26 m 23% 36% 2,5 km/h 7615 kg 55 kN 2,62 kN/m² 5,42 kN/m²

Available power options:

BI-ENERGY (DIESEL+AC)

ECO (AC+BATTERY)

Characteristics and technical data are informative only and subjected to change without notice.

Palazzani Industrie S.p.A.

Via del Pavione, 4 - 25050 - Paderno F.C. (BS) - Italy

Tel. (+39) 0306857073

info@palazzani.it

www.palazzani.it

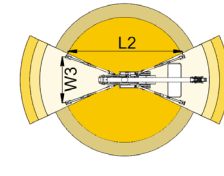
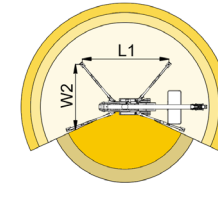
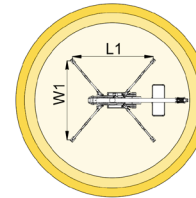
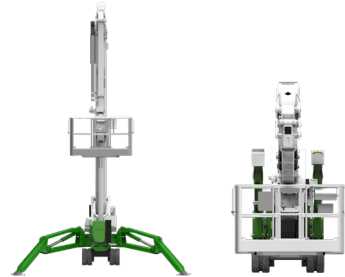
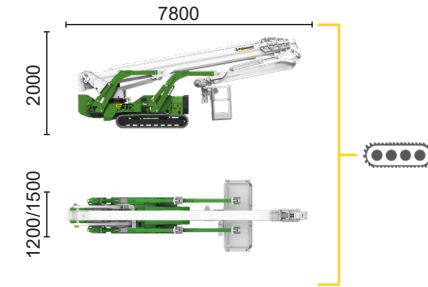
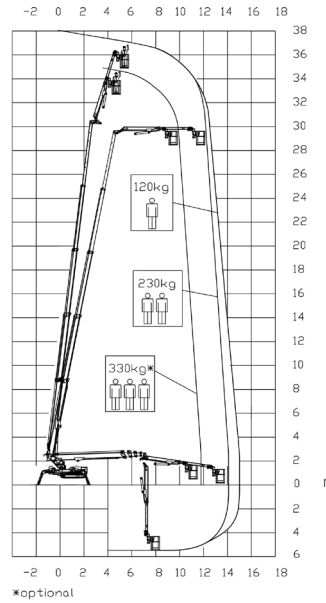




ECO

Single-phase
Electric motor
230VAC - 16 kW

Lithium iron
phosphate battery
LiFePO4
48V - 420 Ah



11,8 m	14,1 m	15 m	7,3 m	9,5 m	L1	L2	W1	W2	W3
330* kg	230 kg	120 kg	330* kg	120/230 kg	5535 mm	7160 mm	5260 mm	3840 mm	2680 mm

XTJ 37+/C															
-----------	--	--	--	--	--	--	--	--	--	--	--	--	--	--	--

Available power options:

BI-ENERGY (DIESEL+AC)

ECO (AC+BATTERY)

Characteristics and technical data are informative only and subjected to change without notice.

Palazzani Industrie S.p.A.

Via del Pavione, 4 - 25050 - Paderno F.C. (BS) - Italy

Tel. (+39) 0306857073

info@palazzani.it

www.palazzani.it



NC 840 A 22



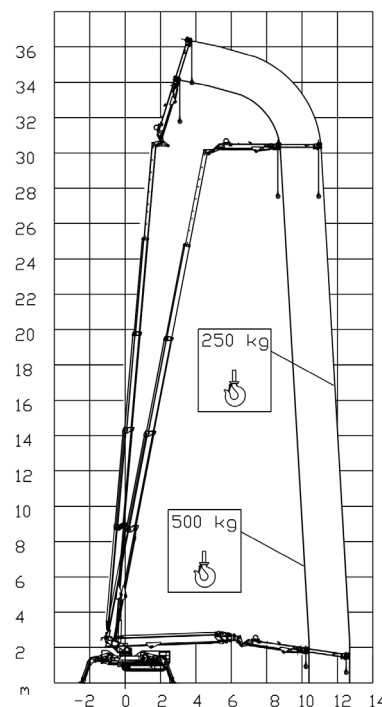
ECO



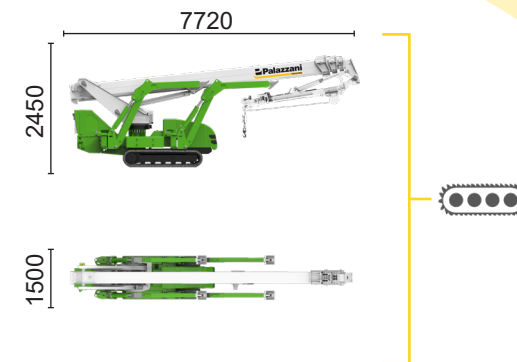
Single-phase
Electric motor
230VAC - 16 kW



Lithium iron
phosphate battery
LiFePO4
48V - 420 Ah



500 kg	250 kg
10,4 m	12,7 m



XTJ 37+/C 36 m 12,7 m 500 kg 660° 180x70 cm 90°+80° 2,68-5,26 m 23% 36% 2,5 km/h 7615 kg 55 kN 2,62 kN/m2 5,42 kN/m2

Available power options:

BI-ENERGY (DIESEL+AC)

ECO (AC+BATTERY)

Characteristics and technical data are informative only and subjected to change without notice.

Palazzani Industrie S.p.A.

Via del Pavione, 4 - 25050 - Paderno F.C. (BS) - Italy

Tel. (+39) 0306857073

info@palazzani.it

www.palazzani.it

