

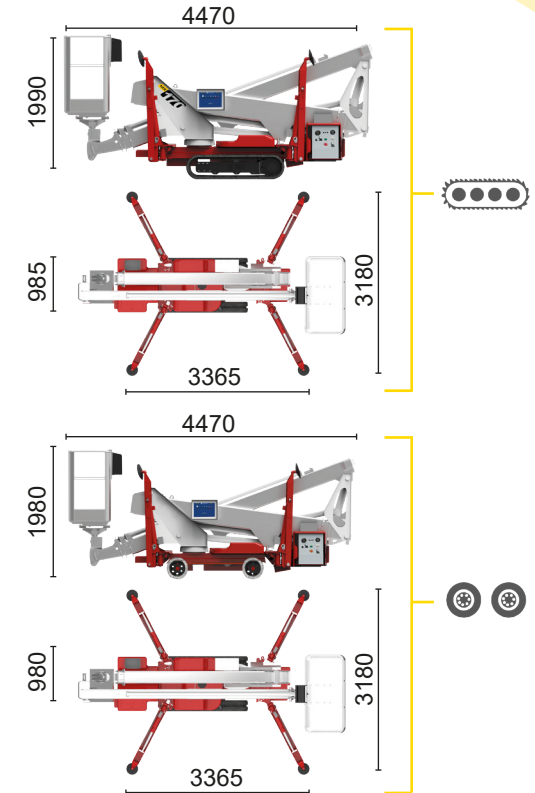
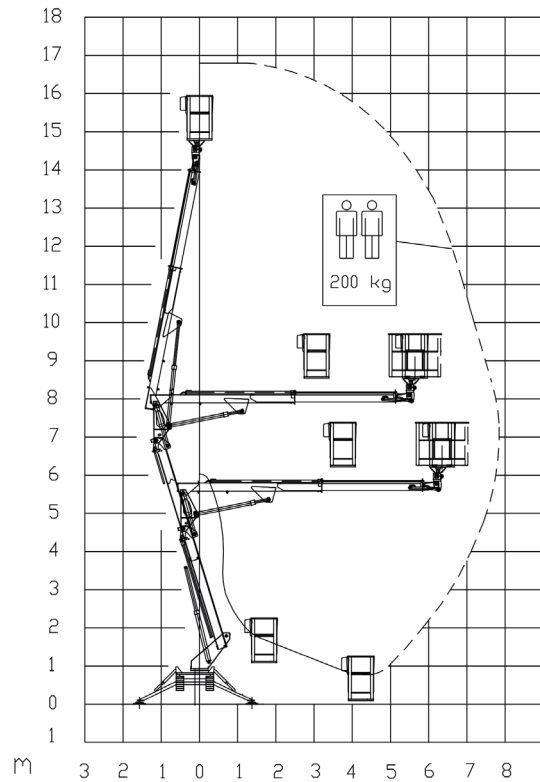
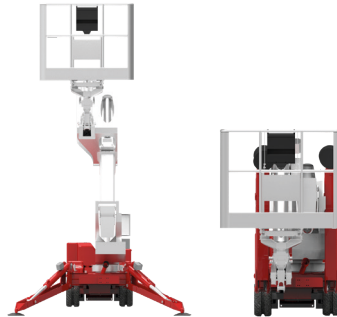






**BI-ENERGY**

 Diesel  
10,6 kW

 Single-phase  
Electric motor  
230VAC - 2,2 kW



TZX 170/C		17 m	7,8 m	200 kg	360°	140x70 cm	90°+90°	3,18 m	18%	31%	2,4 km/h	2000 kg	13 kN	1,87 kN/m <sup>2</sup>	3,2 kN/m <sup>2</sup>
TZX 170/R		17 m	7,8 m	200 kg	360°	140x70 cm	90°+90°	3,18 m	18%	25%	2 km/h	2000 kg	13 kN	1,87 kN/m <sup>2</sup>	3,2 kN/m <sup>2</sup>

Available power options:

**BI-ENERGY** (DIESEL+AC)

**ECO** (AC+BATTERY)

Characteristics and technical data are informative only and subjected to change without notice.

Palazzani Industrie S.p.A.

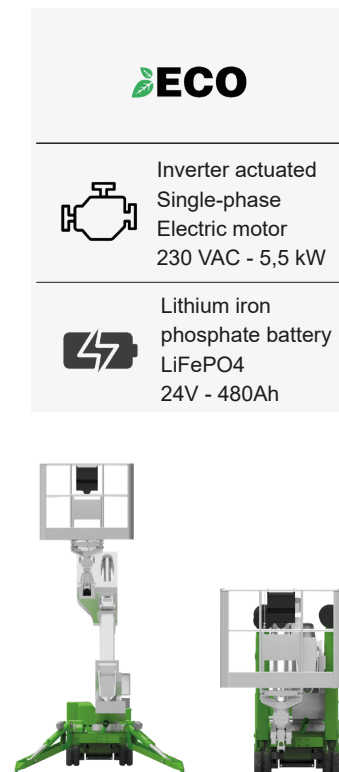
Via del Pavione, 4 - 25050 - Paderno F.C. (BS) - Italy

Tel. (+39) 0306857073

info@palazzani.it

www.palazzani.it





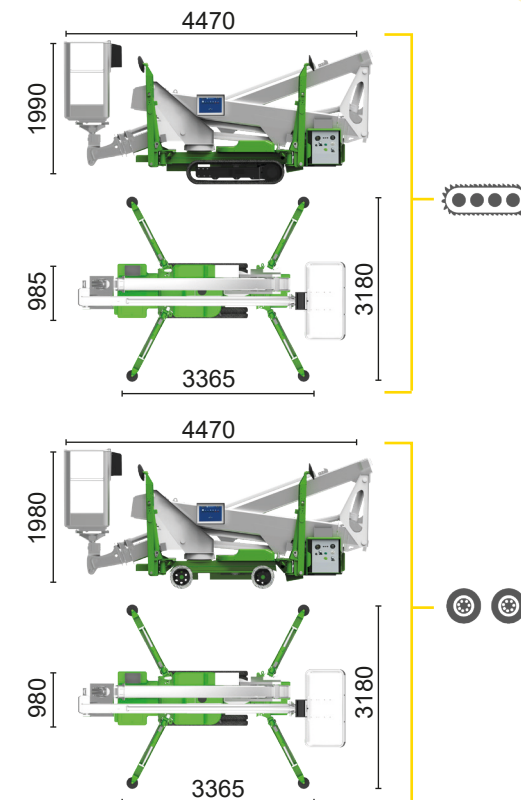
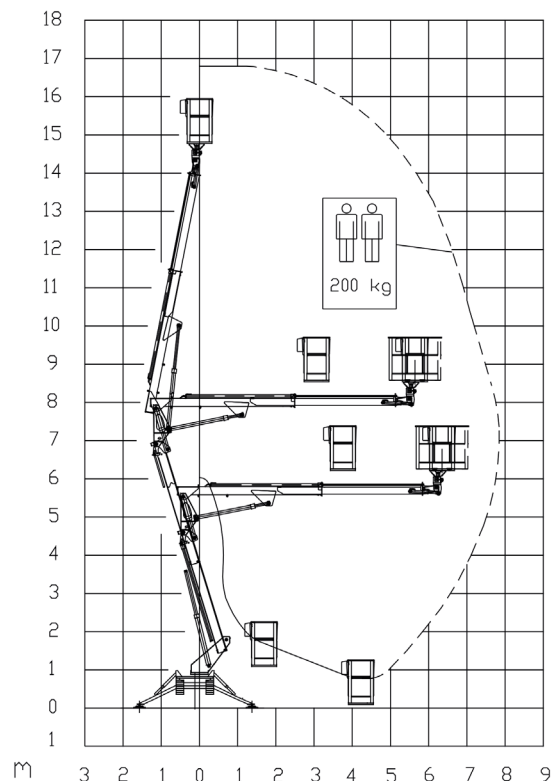
**ECO**



Inverter actuated  
Single-phase  
Electric motor  
230 VAC - 5,5 kW



Lithium iron  
phosphate battery  
LiFePO4  
24V - 480Ah



TZX 170/C		17 m	7,8 m	200 kg	360°	140x70 cm	90°+90°	3,18 m	18%	31%	2,4 km/h	2000 kg	13 kN	1,87 kN/m <sup>2</sup>	3,2 kN/m <sup>2</sup>
TZX 170/R		17 m	7,8 m	200 kg	360°	140x70 cm	90°+90°	3,18 m	18%	25%	2 km/h	2000 kg	13 kN	1,87 kN/m <sup>2</sup>	3,2 kN/m <sup>2</sup>

Available power options:

**BI-ENERGY** (DIESEL+AC)

**ECO** (AC+BATTERY)

Characteristics and technical data are informative only and subjected to change without notice.

Palazzani Industrie S.p.A.

Via del Pavione, 4 - 25050 - Paderno F.C. (BS) - Italy

Tel. (+39) 0306857073

info@palazzani.it

www.palazzani.it

