



BI-ENERGY



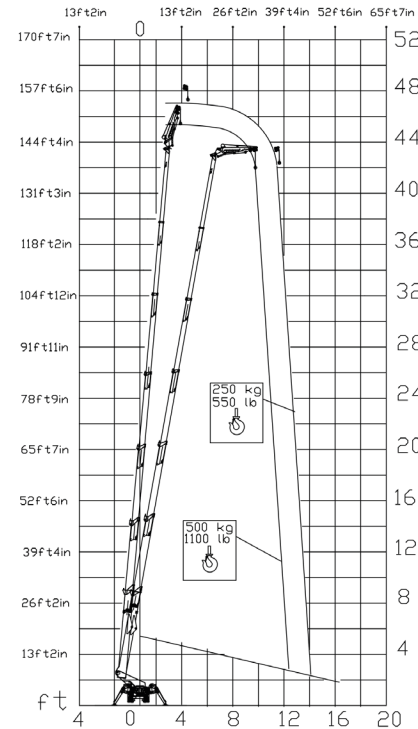
Diesel
32,5 kW



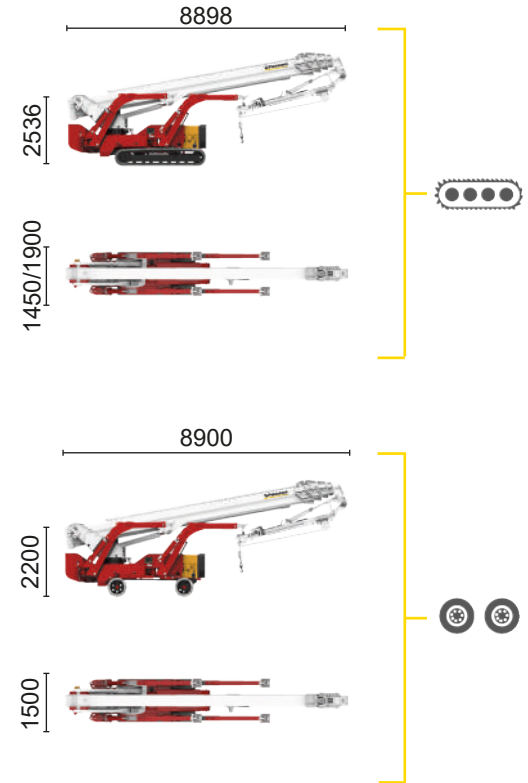
Single-phase
Electric motor
230 VAC - 2,2 kW



Three-phase
Electric motor
400 VAC - 5,5 kW



500 kg	250 kg
12,5 m	16,5 m



XTJ 48.1+/C		48 m	16,5 m	500 kg	660°	240x70 cm	90°+80°	4,13-5,17 m	16%	42%	1,2 km/h	14980 kg	75 kN	4,49 kN/m ²	7,01 kN/m ²
XTJ 48.1+/R		48 m	16,5 m	500 kg	660°	240x70 cm	90°+80°	4,13-5,17 m	16%	21%	1 km/h	15060 kg	95 kN	4,51 kN/m ²	7,05 kN/m ²

Palazzani Industrie S.p.A.
Via del Pavione, 4 - 25050 - Paderno F.C. (BS) - Italy
Tel. (+39) 0306857073
info@palazzani.it
www.palazzani.it



The technical data may deviate +/- 3 % from the specified values.
Characteristics and technical data are informative only and subjected to change without notice.



NC 950 A 24