
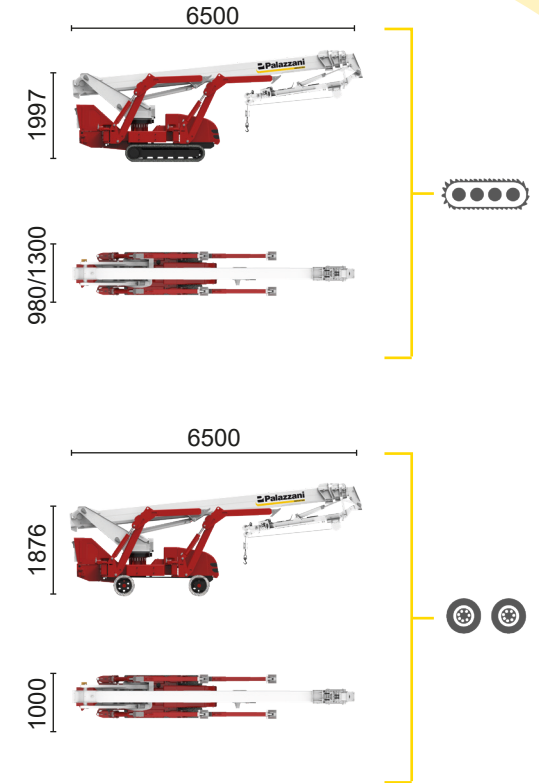
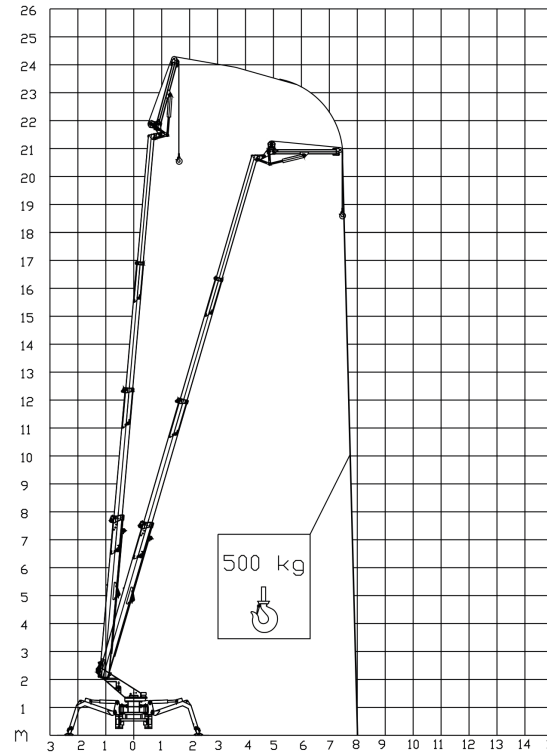





**BI-ENERGY**

 Diesel  
14,7 kW

 Single-phase  
Electric motor  
230 VAC - 2,2 kW



TSJ 25/C		23,5 m	8,5 m	500 kg	660°	180x70 cm	90°+80°	2,61-4,85 m	32%	36%	1 km/h	3950 kg	26 kN	1,64 kN/m <sup>2</sup>	3,38 kN/m <sup>2</sup>
----------	---	--------	-------	--------	------	-----------	---------	-------------	-----	-----	--------	---------	-------	------------------------	------------------------

TSJ 25/R		23,5 m	8,5 m	500 kg	660°	180x70 cm	90°+80°	2,61-4,85 m	32%	19%	1 km/h	3950 kg	26 kN	1,64 kN/m <sup>2</sup>	3,38 kN/m <sup>2</sup>
----------	---	--------	-------	--------	------	-----------	---------	-------------	-----	-----	--------	---------	-------	------------------------	------------------------

Available power options:

**ECO** (AC+BATTERY)

**HYBRID<sup>2</sup>** (DIESEL+AC+BATTERY)

The technical data may deviate +/- 3% from the specified values.

Characteristics and technical data are informative only and subjected to change without notice.

Palazzani Industrie S.p.A.

Via del Pavione, 4 - 25050 - Paderno F.C. (BS) - Italy

Tel. (+39) 0306857073

info@palazzani.it

www.palazzani.it





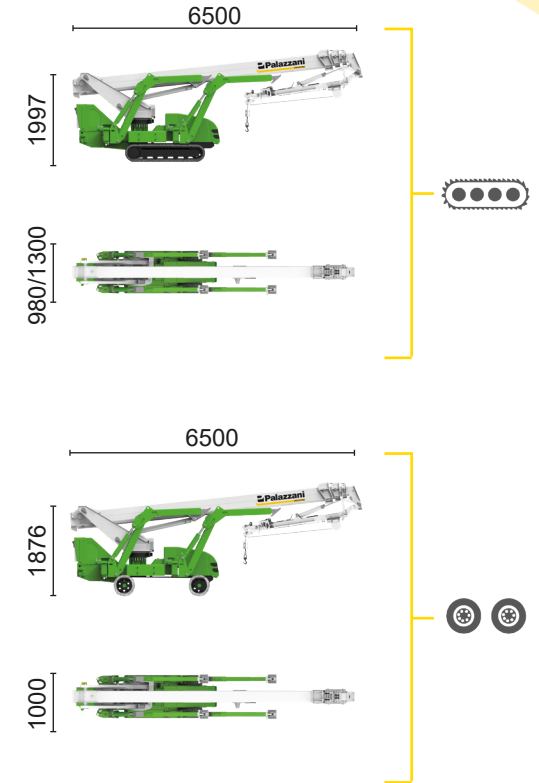
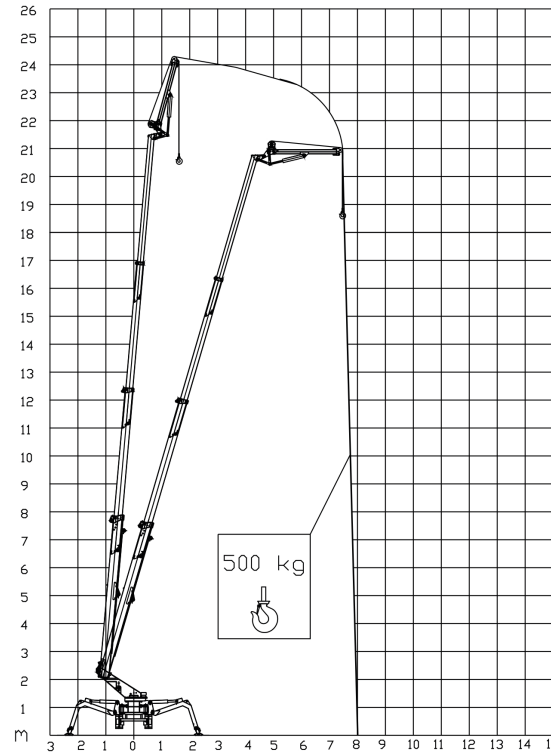
**ECO**



Inverter actuated  
Electric motor  
5,5 kW



Lithium iron  
phosphate battery  
LiFePO4



TSJ 25/C		23,5 m	8,5 m	500 kg	660°	180x70 cm	90°+80°	2,61-4,85 m	32%	36%	1 km/h	3950 kg	26 kN	1,64 kN/m <sup>2</sup>	3,38 kN/m <sup>2</sup>
----------	--	--------	-------	--------	------	-----------	---------	-------------	-----	-----	--------	---------	-------	------------------------	------------------------

TSJ 25/R		23,5 m	8,5 m	500 kg	660°	180x70 cm	90°+80°	2,61-4,85 m	32%	19%	1 km/h	3950 kg	26 kN	1,64 kN/m <sup>2</sup>	3,38 kN/m <sup>2</sup>
----------	--	--------	-------	--------	------	-----------	---------	-------------	-----	-----	--------	---------	-------	------------------------	------------------------

Available power options:

**BI-ENERGY** (DIESEL+AC)

**HYBRID<sup>2</sup>** (DIESEL+AC+BATTERY)

The technical data may deviate +/- 3% from the specified values.

Characteristics and technical data are informative only and subjected to change without notice.

Palazzani Industrie S.p.A.

Via del Pavione, 4 - 25050 - Paderno F.C. (BS) - Italy

Tel. (+39) 0306857073

info@palazzani.it

www.palazzani.it





NC 905 A 24

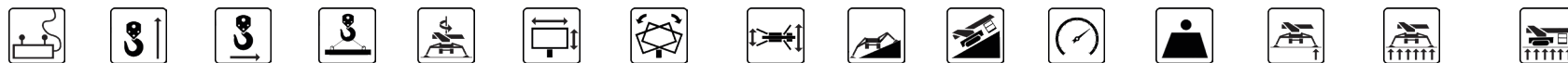
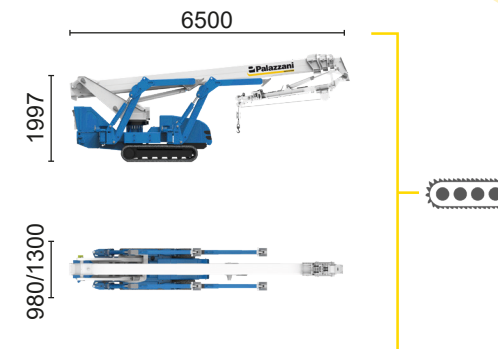
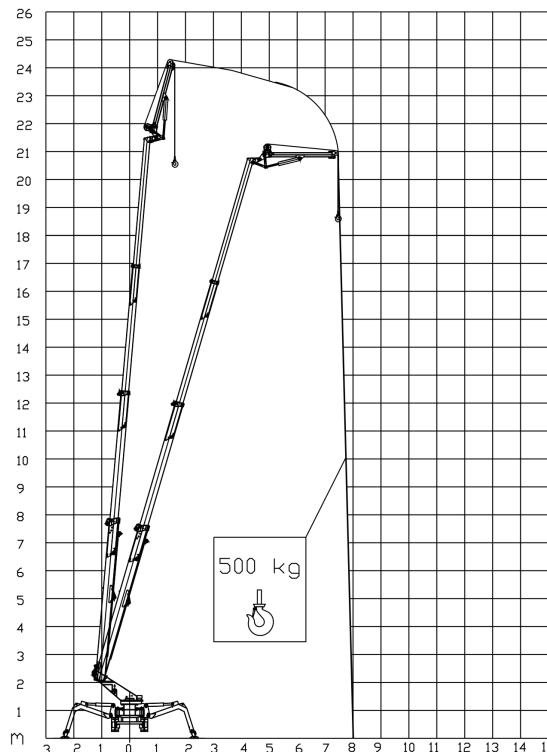



**HYBRID<sup>2</sup>**

 Diesel  
10,6 kW

 Inverter actuated  
Electric motor  
5,5 kW

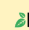
 Lithium iron  
phosphate battery  
LiFePO4  
48 V - 210 Ah



TSJ 25/C  23,5 m 8,5 m 500 kg 660° 180x70 cm 90°+80° 2,61-4,85 m 32% 36% 1,2 km/h 4335 kg 26 kN 1,8 kN/m<sup>2</sup> 3,71 kN/m<sup>2</sup>

Available power options:

 **BI-ENERGY** (DIESEL+AC)

 **ECO** (AC+BATTERY)

The technical data may deviate +/- 3% from the specified values.

Characteristics and technical data are informative only and subjected to change without notice.

Palazzani Industrie S.p.A.

Via del Pavione, 4 - 25050 - Paderno F.C. (BS) - Italy

Tel. (+39) 0306857073

info@palazzani.it

www.palazzani.it



NC 907 A 24