



**ECO**



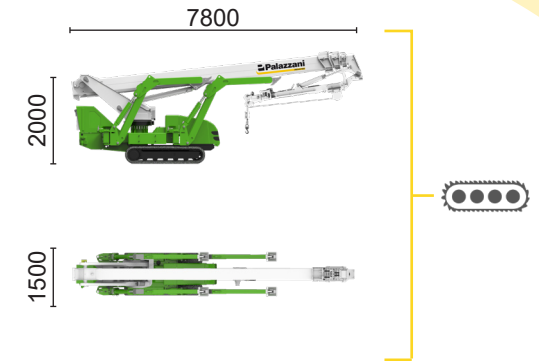
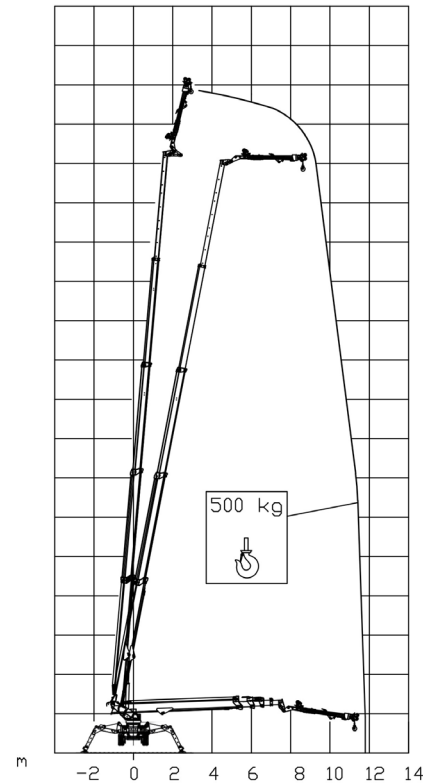
Inverter actuated  
Electric motor  
16 kW



Lithium iron  
phosphate battery  
LiFePO4 - 16,9 kWh  
(48 V - 330 Ah)



Type 2 plug charge



TSJ 35.1/C		33,7 m	11,8 m	500 kg	660°	180x70 cm	90°+80°	2,68-5,26 m	23%	36%	1,8 km/h	7235 kg	47 kN	2,49 kN/m <sup>2</sup>	5,15 kN/m <sup>2</sup>
------------	--	--------	--------	--------	------	-----------	---------	-------------	-----	-----	----------	---------	-------	------------------------	------------------------

Available power options:

**BI-ENERGY** (DIESEL+AC)

**HYBRID<sup>2</sup>** (DIESEL+AC+BATTERY)

The technical data may deviate +/- 3% from the specified values.

Characteristics and technical data are informative only and subjected to change without notice.

Palazzani Industrie S.p.A.

Via del Pavione, 4 - 25050 - Paderno F.C. (BS) - Italy

Tel. (+39) 0306857073

info@palazzani.it

www.palazzani.it



NC 923 A 24