



PETROL

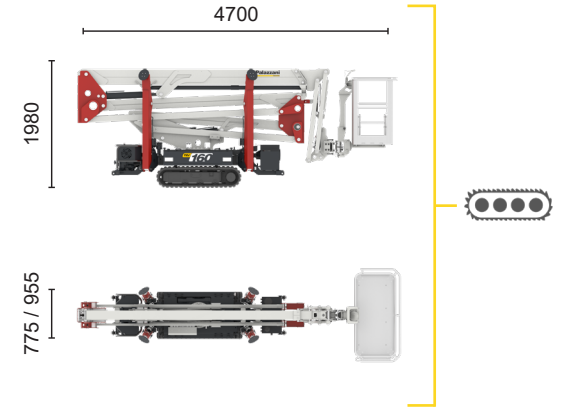
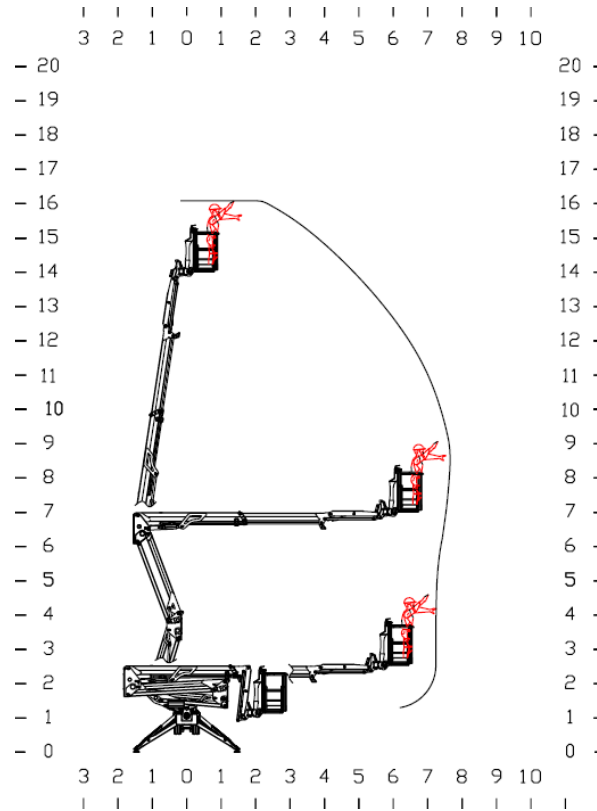


Petrol Honda
i-GX 390 engine
8,7 kW

DIESEL



Diesel Kubota
engine



TZJ 160/C PETROL		16 m	7,6 m	230 kg	360°	140x70 cm	90°+ 90°	2,93 m	30%	26%	2 km/h	2400 kg	24 N/cm2	2,39 kN/m2	3,32 kN/m2
TZJ 160/C DIESEL		16 m	7,6 m	230 kg	360°	140x70 cm	90°+ 90°	2,93 m							

Power options available soon:

- ECO** (AC+BATTERY)
- ECO PRO** (AC+BATTERY)
- HYBRID DUAL** (PETROL+AC+BATTERY)

PRELIMINARY

The technical data may deviate +/- 3% from the specified values.

Characteristics and technical data are informative only and subjected to change without notice.

Palazzani Industrie S.p.A.

Via del Pavione, 4 - 25050 - Paderno F.C. (BS) - Italy

Tel. (+39) 0306857073

info@palazzani.it

www.palazzani.it



NC 1022 A 25