



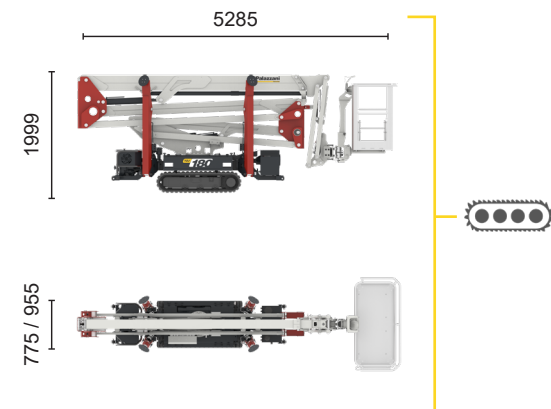
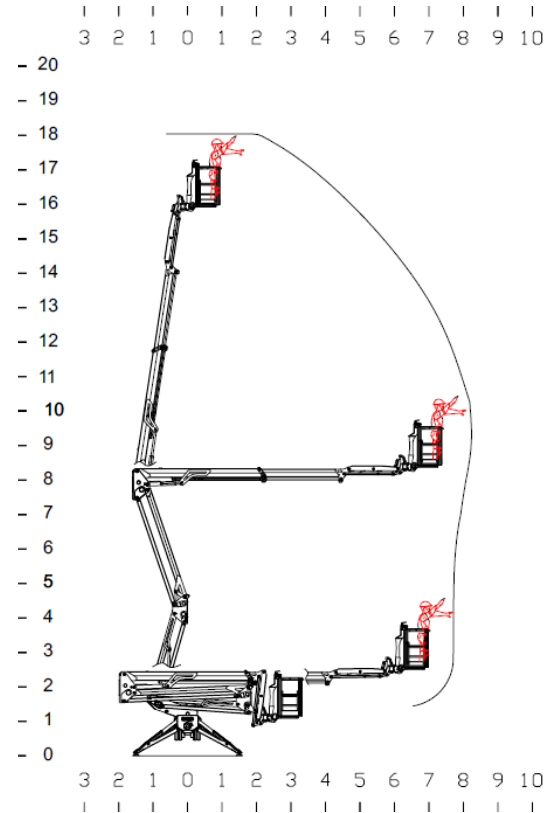




PETROL

 Petrol Honda i-GX 390 engine
8,7 kW

DIESEL

 Diesel Kubota engine



TZJ 180/C PETROL		18 m	8,2 m	230 kg	360°	140x70 cm	90°+ 90°	3 m	27%	26%	2 km/h	2500 kg	25 N/cm ²	2,4 kN/m ²	3,15 kN/m ²
TZJ 180/C DIESEL		18 m	8,2 m	230 kg	360°	140x70 cm	90°+ 90°	3 m							

Power options available soon:
ECO (AC+BATTERY)
ECO PRO (AC+BATTERY)
HYBRID DUAL (PETROL+AC+BATTERY)

PRELIMINARY

Palazzani Industrie S.p.A.
 Via del Pavione, 4 - 25050 - Paderno F.C. (BS) - Italy
 Tel. (+39) 0306857073
 info@palazzani.it
 www.palazzani.it

