
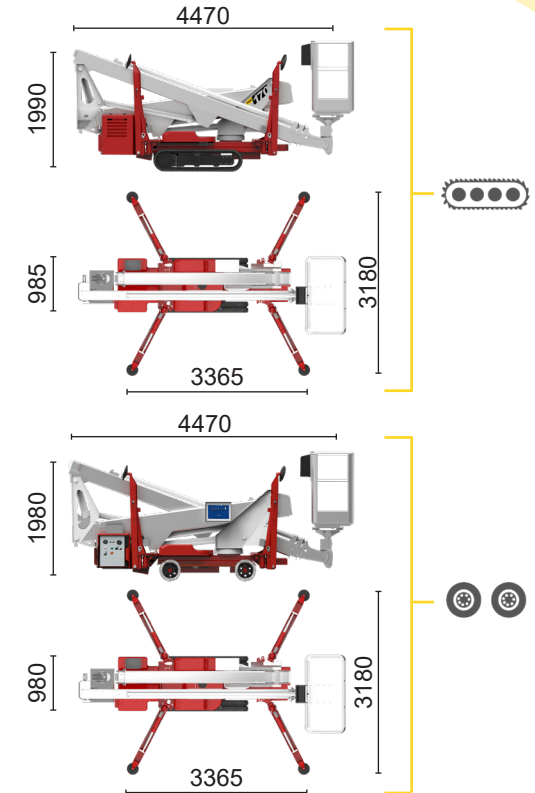
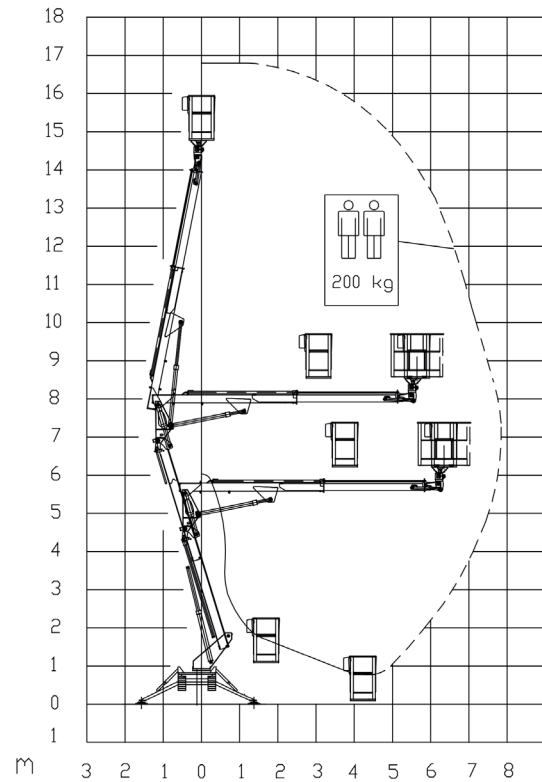
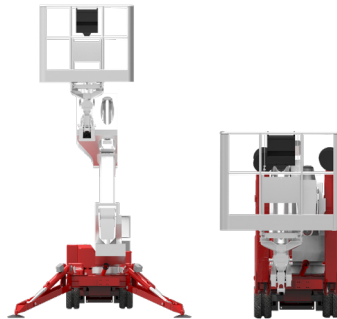






BI-ENERGY

 Diesel
10,6 kW

 Single-phase
Electric motor
230VAC - 2,2 kW



TZX 170/C		17 m	7,8 m	200 kg	360°	140x70 cm	90°+90°	3,18 m	18%	31%	2,4 km/h	2000 kg	13 kN	1,87 kN/m2	3,2 kN/m2
TZX 170/R		17 m	7,8 m	200 kg	360°	140x70 cm	90°+90°	3,18 m	18%	25%	2 km/h	2000 kg	13 kN	1,87 kN/m2	3,2 kN/m2

Available power options:
ECO (AC+BATTERY)

The technical data may deviate +/- 3% from the specified values.
Characteristics and technical data are informative only and subjected to change without notice.

Palazzani Industrie S.p.A.
Via del Pavione, 4 - 25050 - Paderno F.C. (BS) - Italy
Tel. (+39) 0306857073
info@palazzani.it
www.palazzani.it

