
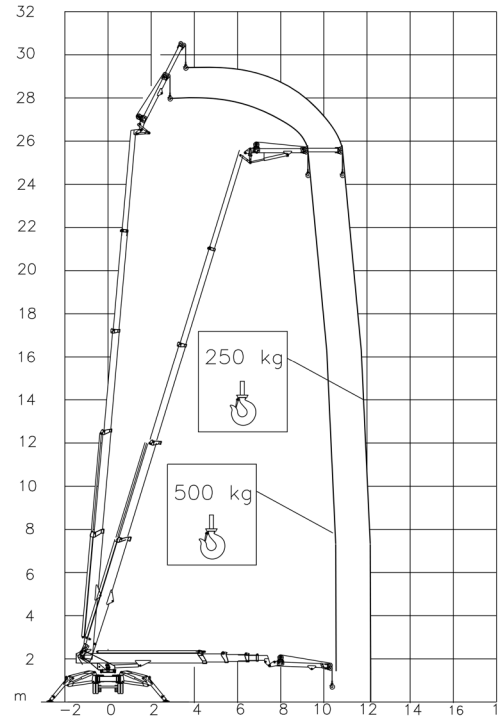




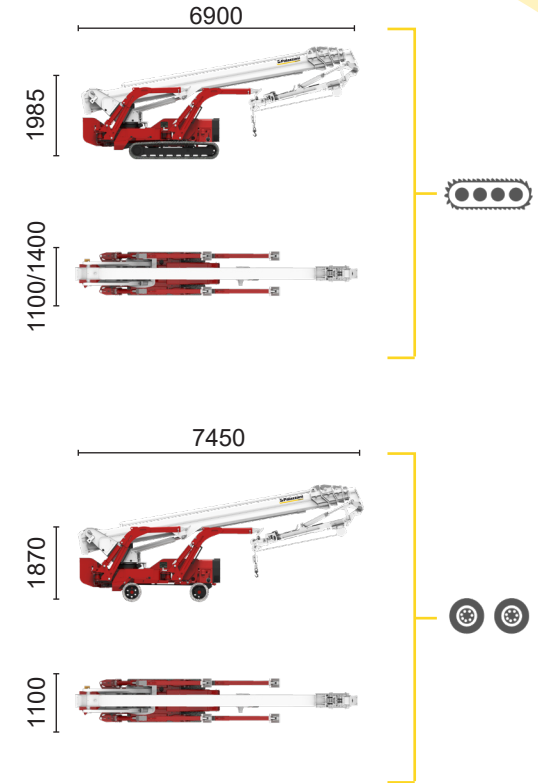
BI-ENERGY

 Diesel
18,2 kW

 Inverter actuated
Single-phase
Electric motor
230 VAC - 3 kW



500 kg	250 kg
10 m	11,6 m



XTJ 32/C		31 m	11,6 m	500 kg	660°	180x70 cm	90°+80°	2,82-4,76 m	16%	32%	3 km/h	5940 kg	35 kN	2,43 kN/m ²	4,78 kN/m ²
----------	---	------	--------	--------	------	-----------	---------	-------------	-----	-----	--------	---------	-------	------------------------	------------------------

XTJ 32/R		31 m	11,6 m	500 kg	660°	180x70 cm	90°+80°	2,82-4,76 m	16%	18%	2 km/h	5940 kg	35 kN	2,43 kN/m ²	4,78 kN/m ²
----------	---	------	--------	--------	------	-----------	---------	-------------	-----	-----	--------	---------	-------	------------------------	------------------------

Available power options:
ECO (AC+BATTERY)

The technical data may deviate +/- 3% from the specified values.
Characteristics and technical data are informative only and subjected to change without notice.

Palazzani Industrie S.p.A.
Via del Pavione, 4 - 25050 - Paderno F.C. (BS) - Italy
Tel. (+39) 0306857073
info@palazzani.it
www.palazzani.it

