



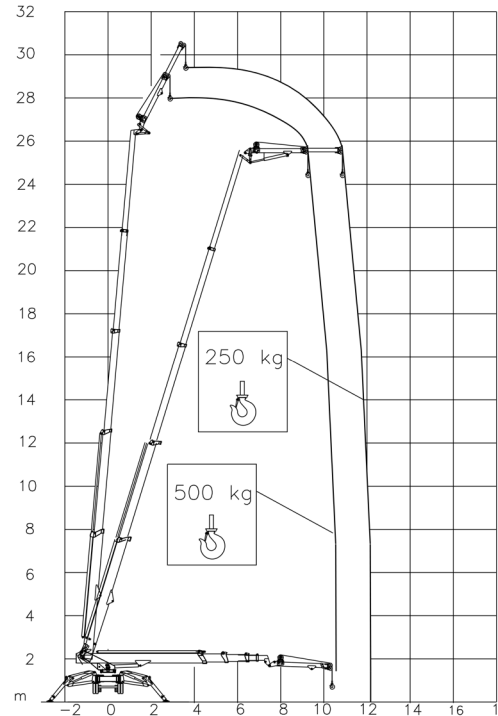
ECO



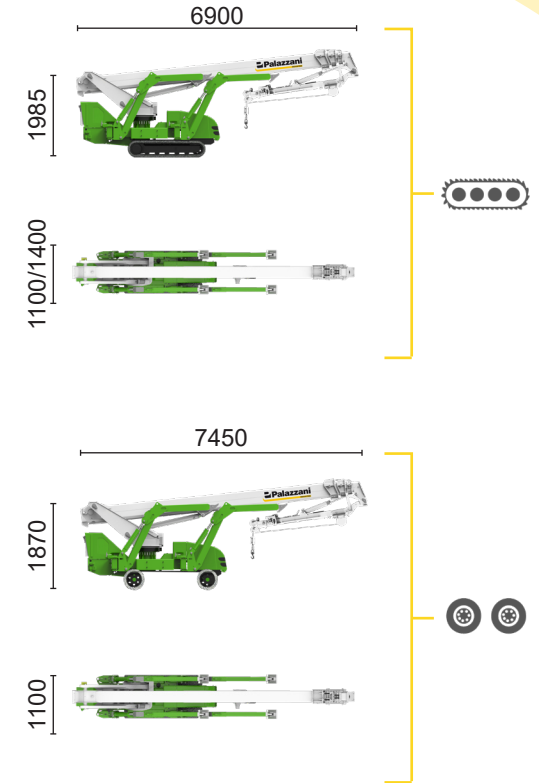
Inverter actuated
Electric motor
16 kW



Lithium iron
phosphate battery
LiFePO4 - 21,5 kWh
(48 V - 420 Ah)



| | |
|---------------|---------------|
| 500 kg | 250 kg |
| 10 m | 11,6 m |



| | | | | | | | | | | | | | | | |
|----------|--|------|--------|--------|------|-----------|---------|-------------|-----|-----|----------|---------|-------|------------|------------|
| XTJ 32/C | | 31 m | 11,6 m | 500 kg | 660° | 180x70 cm | 90°+80° | 2,82-4,76 m | 16% | 32% | 1,2 km/h | 5940 kg | 35 kN | 2,43 kN/m2 | 4,78 kN/m2 |
|----------|--|------|--------|--------|------|-----------|---------|-------------|-----|-----|----------|---------|-------|------------|------------|

| | | | | | | | | | | | | | | | |
|----------|--|------|--------|--------|------|-----------|---------|-------------|-----|-----|----------|---------|-------|------------|------------|
| XTJ 32/R | | 31 m | 11,6 m | 500 kg | 660° | 180x70 cm | 90°+80° | 2,82-4,76 m | 16% | 18% | 1,2 km/h | 5940 kg | 35 kN | 2,43 kN/m2 | 4,78 kN/m2 |
|----------|--|------|--------|--------|------|-----------|---------|-------------|-----|-----|----------|---------|-------|------------|------------|

Available power options:

BI-ENERGY (DIESEL+AC)

The technical data may deviate +/- 3% from the specified values.

Characteristics and technical data are informative only and subjected to change without notice.

Palazzani Industrie S.p.A.

Via del Pavione, 4 - 25050 - Paderno F.C. (BS) - Italy

Tel. (+39) 0306857073

info@palazzani.it

www.palazzani.it



NC 938 A 24