



HYBRID²



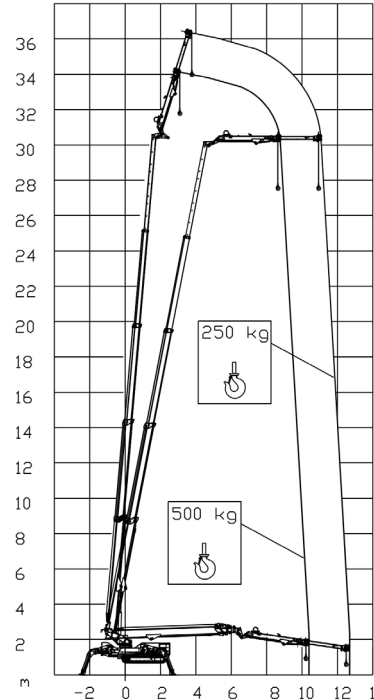
Diesel
10,6 kW



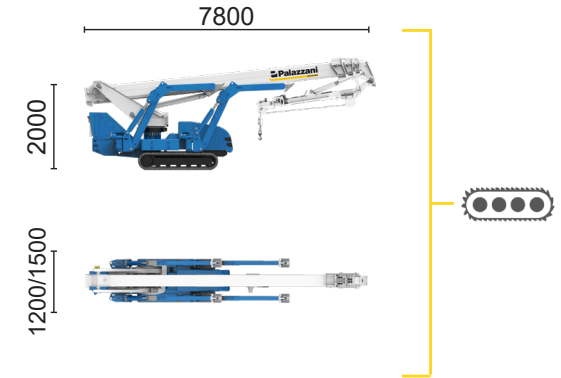
Inverter actuated
Electric motor
16 kW



Lithium iron
phosphate battery
LiFePO4 - 16,1 kWh
(48 V - 315 Ah)



500 kg	250 kg
10,4 m	12,7 m



XTJ 37+/C 36 m 12,7 m 500 kg 660° 180x70 cm 90°+80° 2,68-5,26 m 23% 36% 2,5 km/h 7590 kg 55 kN 2,61 kN/m² 5,41 kN/m²

Available power options:

BI-ENERGY (DIESEL+AC)

ECO (AC+BATTERY)

The technical data may deviate +/- 3% from the specified values.

Characteristics and technical data are informative only and subjected to change without notice.

Palazzani Industrie S.p.A.

Via del Pavione, 4 - 25050 - Paderno F.C. (BS) - Italy

Tel. (+39) 0306857073

info@palazzani.it

www.palazzani.it



NC 944 A 24