



BI-ENERGY



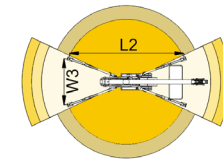
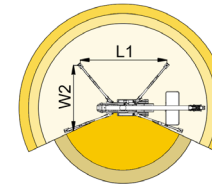
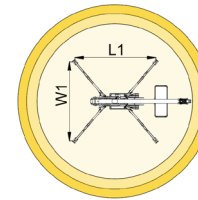
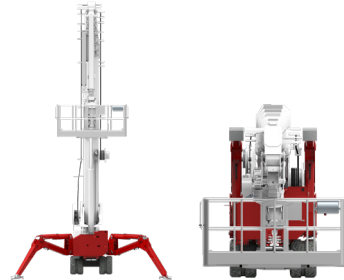
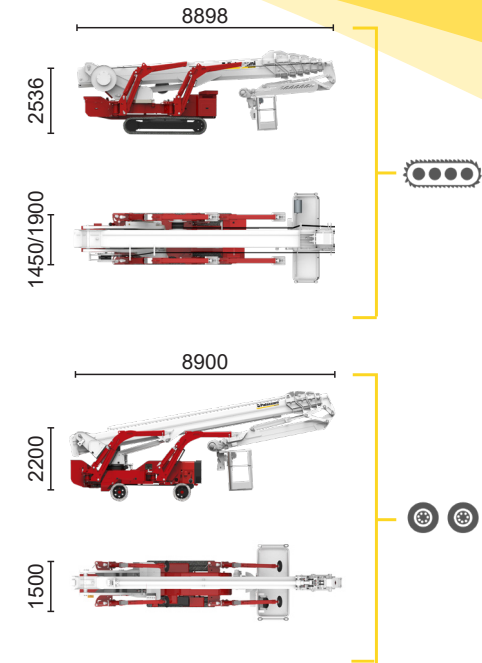
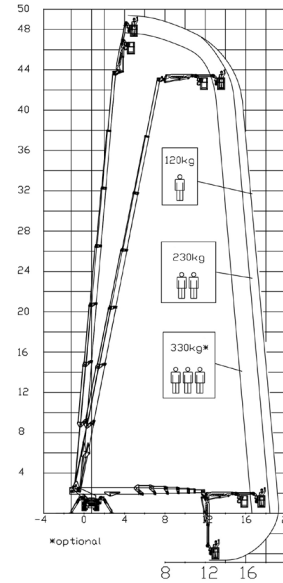
Diesel
32,5 kW



Single-phase
Electric motor
230 VAC - 2,2 kW



Three-phase
Electric motor
400 VAC - 5,5 kW



14,5 m	18,5 m	19,5 m	12,5 m	16,5 m	L1	L2	W1	W2	W3
330 kg*	230 kg	120 kg	330 kg*	120/230 kg	6460 mm	7190 mm	5170 mm	4655 mm	4130 mm



XTJ 48.1+/C	XTJ 48.1+/R	49 m	19,5 m	330 kg*	660°	240x70 cm	90°+80°	4,13-5,17 m	16%	42%	1,2 km/h	14890 kg	75 kN	4,46 kN/m ²	6,97 kN/m ²
		49 m	19,5 m	330 kg*	660°	240x70 cm	90°+80°	4,13-5,17 m	16%	21%	1 km/h	15060 kg	95 kN	4,51 kN/m ²	7,05 kN/m ²

Palazzani Industrie S.p.A.
Via del Pavione, 4 - 25050 - Paderno F.C. (BS) - Italy
Tel. (+39) 0306857073
info@palazzani.it
www.palazzani.it



NC 949 A 24

The technical data may deviate +/- 3 % from the specified values.
Characteristics and technical data are informative only and subjected to change without notice.

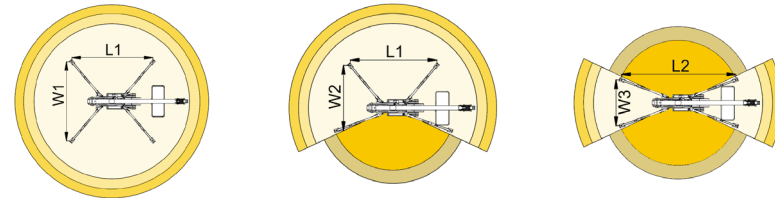
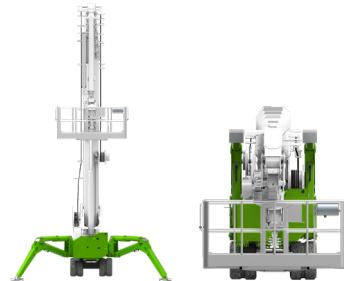
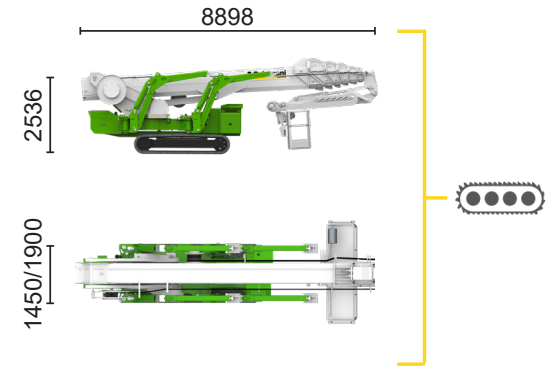
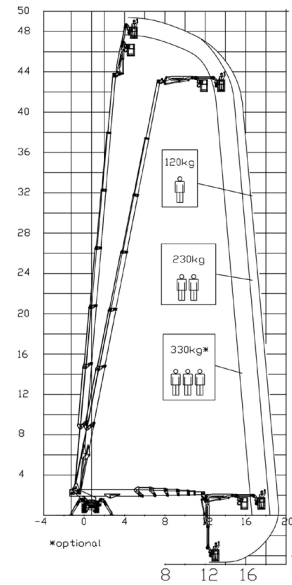


ECO

Inverter actuated
Electric motor
20 kW

Lithium iron
phosphate battery
LiFePO4 - 29,1 kWh
(48 V - 570 Ah)

Type 2 plug charge



14,5 m	18,5 m	19,5 m	12,5 m	16,5 m	L1	L2	W1	W2	W3
330 kg*	230 kg	120 kg	330 kg*	120/230 kg	6460 mm	7190 mm	5170 mm	4655 mm	4130 mm



XTJ 48.1+/C 49 m 19,5 m 330 kg* 660° 240x70 cm 90°+80° 4,13-5,17 m 16% 42% 1,2 km/h 14890 kg

Palazzani Industrie S.p.A.
Via del Pavione, 4 - 25050 - Paderno F.C. (BS) - Italy
Tel. (+39) 0306857073
info@palazzani.it
www.palazzani.it



NC 1028 A 25

The technical data may deviate +/- 3 % from the specified values.
Characteristics and technical data are informative only and subjected to change without notice.