



**BI-ENERGY**



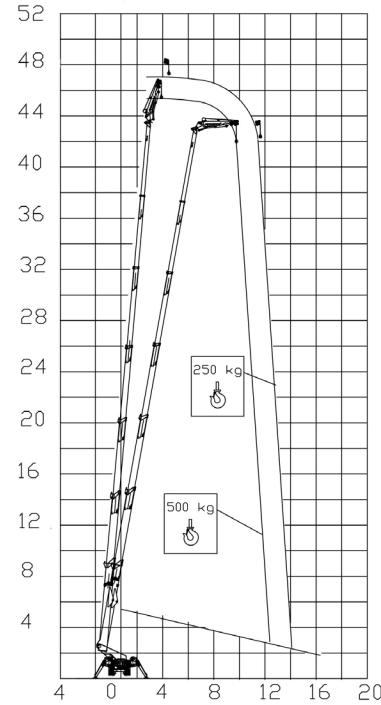
Diesel  
32,5 kW



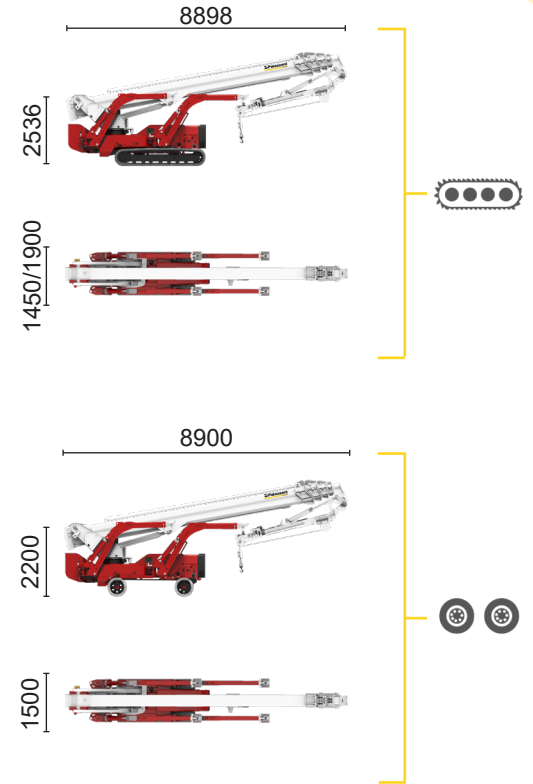
Single-phase  
Electric motor  
230 VAC - 2,2 kW



Three-phase  
Electric motor  
400 VAC - 5,5 kW



500 kg	250 kg
12,5 m	16,5 m



XTJ 48.1+/C		48 m	16,5 m	500 kg	660°	240x70 cm	90°+80°	4,13-5,17 m	16%	42%	1,2 km/h	14980 kg	75 kN	4,46 kN/m <sup>2</sup>	6,97 kN/m <sup>2</sup>
XTJ 48.1+/R		48 m	16,5 m	500 kg	660°	240x70 cm	90°+80°	4,13-5,17 m	16%	21%	1 km/h	15060 kg	95 kN	4,51 kN/m <sup>2</sup>	7,05 kN/m <sup>2</sup>

Palazzani Industrie S.p.A.

Via del Pavione, 4 - 25050 - Paderno F.C. (BS) - Italy

Tel. (+39) 0306857073

info@palazzani.it

www.palazzani.it



NC 950 A 24

The technical data may deviate +/- 3 % from the specified values.

Characteristics and technical data are informative only and subjected to change without notice.



**ECO**



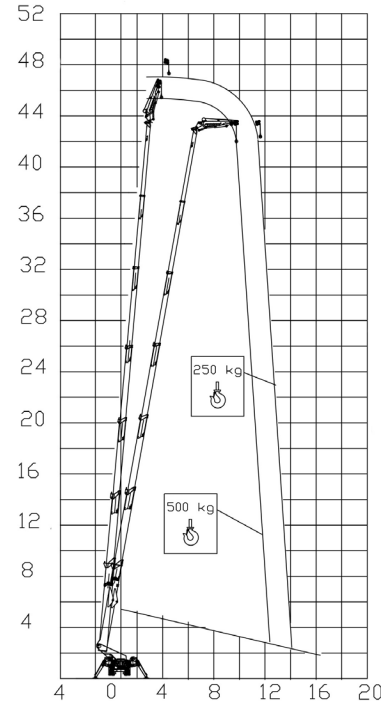
Inverter actuated  
Electric motor  
20 kW



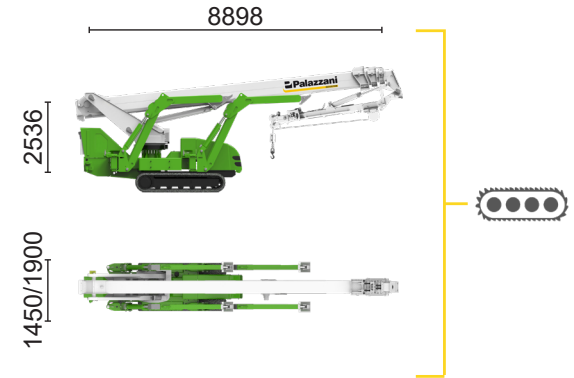
Lithium iron  
phosphate battery  
LiFePO4 - 29,1 kWh  
(48 V - 570 Ah)



Type 2 plug charge



500 kg	250 kg
12,5 m	16,5 m



XTJ 48.1+/C 48 m 16,5 m 500 kg 660° 240x70 cm 90°+80° 4,13-5,17 m 16% 42% 1,2 km/h 14980 kg

Palazzani Industrie S.p.A.  
Via del Pavione, 4 - 25050 - Paderno F.C. (BS) - Italy  
Tel. (+39) 0306857073  
info@palazzani.it  
www.palazzani.it



NC 1029 A 25

The technical data may deviate +/- 3 % from the specified values.  
Characteristics and technical data are informative only and subjected to change without notice.