



BI-ENERGY



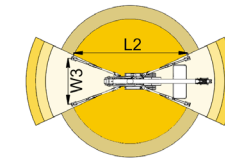
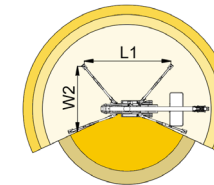
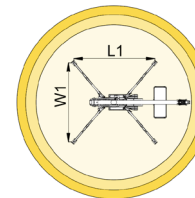
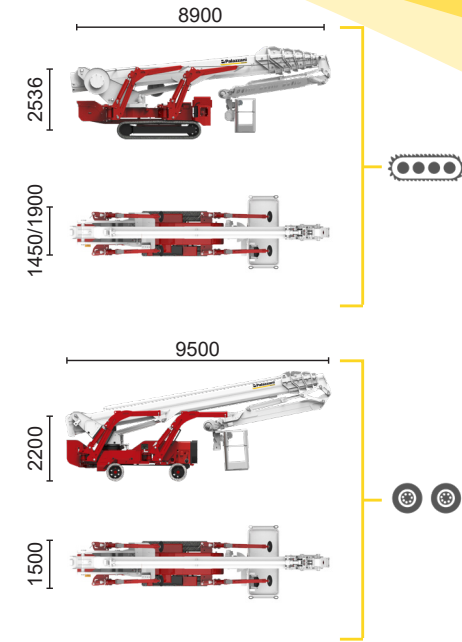
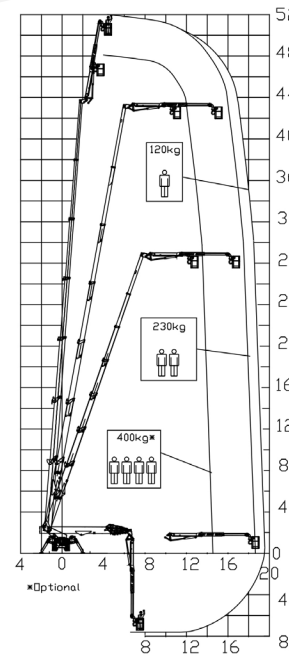
Diesel
32,5 kW



Single-phase
Electric motor
230 VAC - 2,2 kW



Three-phase
Electric motor
400 VAC - 5,5 kW



14,5 m	18,5 m	19,5 m	12,5 m	16,5 m	L1	L2	W1	W2	W3
400 kg*	230 kg	120 kg	400 kg*	120/230 kg	6460 mm	7190 mm	5170 mm	4655 mm	4130 mm



XTJ 52+/C		52 m	19,5 m	400 kg*	660°	240x70 cm	90°+80°	4,13-5,17 m	16%	42%	2 km/h	14890 kg	95 kN	4,46 kN/m ²	6,97 kN/m ²
XTJ 52+/R		52 m	19,5 m	400 kg*	660°	240x70 cm	90°+80°	4,13-5,17 m	16%	21%	1 km/h	15060 kg	95 kN	4,51 kN/m ²	6,61 kN/m ²

Available power options:
ECO (AC+BATTERY)

The technical data may deviate +/- 3 % from the specified values.
Characteristics and technical data are informative only and subjected to change without notice.

Palazzani Industrie S.p.A.
Via del Pavione, 4 - 25050 - Paderno F.C. (BS) - Italy
Tel. (+39) 0306857073
info@palazzani.it
www.palazzani.it



NC 951 A 24