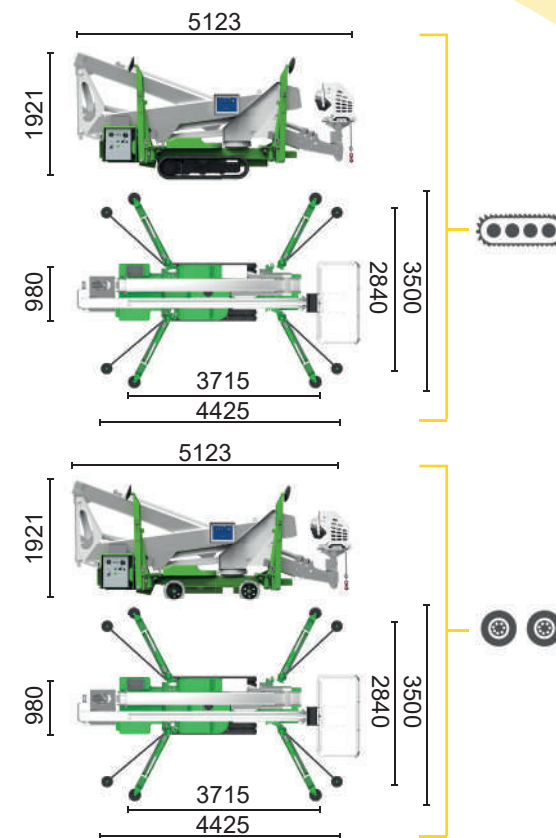
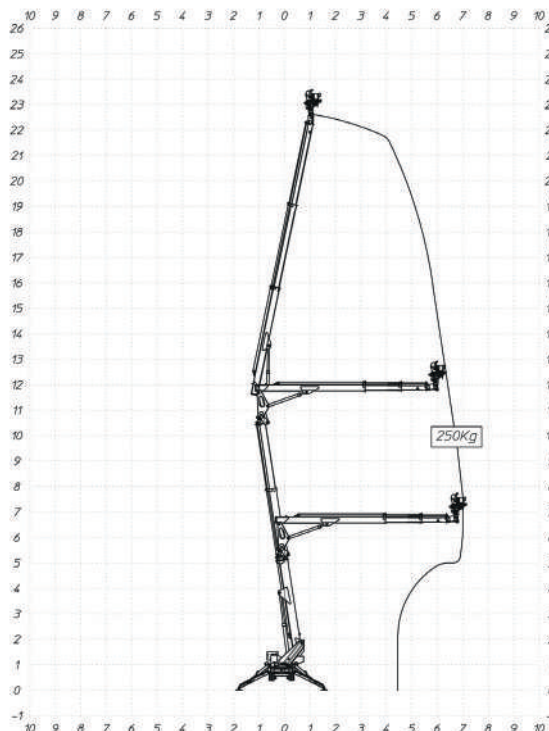




**ECO**

Inverter actuated  
Electric motor  
5,5 kW

Lithium iron  
phosphate battery  
LiFePO4 - 10,8 kWh  
(24 V - 420 Ah)



<b>TZX 250/C</b>		22,5 m	7 m	250 kg	360°	140x70 cm	90°+90°	2,84-3,5 m	19%	23%	1,5 km/h	2660 kg	19,5 kN	2,04 kN/m2	3,71 kN/m2
<b>TZX 250/R</b>		22,5 m	7 m	250 kg	360°	140x70 cm	90°+90°	2,84-3,5 m	19%	21%	1 km/h	2660 kg	19,5 kN	2,04 kN/m2	3,71 kN/m2

Available power options:

**BI-ENERGY** (DIESEL+AC)

The technical data may deviate +/- 3% from the specified values.

Characteristics and technical data are informative only and subjected to change without notice.

Palazzani Industrie S.p.A.

Via del Pavione, 4 - 25050 - Paderno F.C. (BS) - Italy

Tel. (+39) 0306857073

info@palazzani.it

www.palazzani.it



NC 965 A 24