

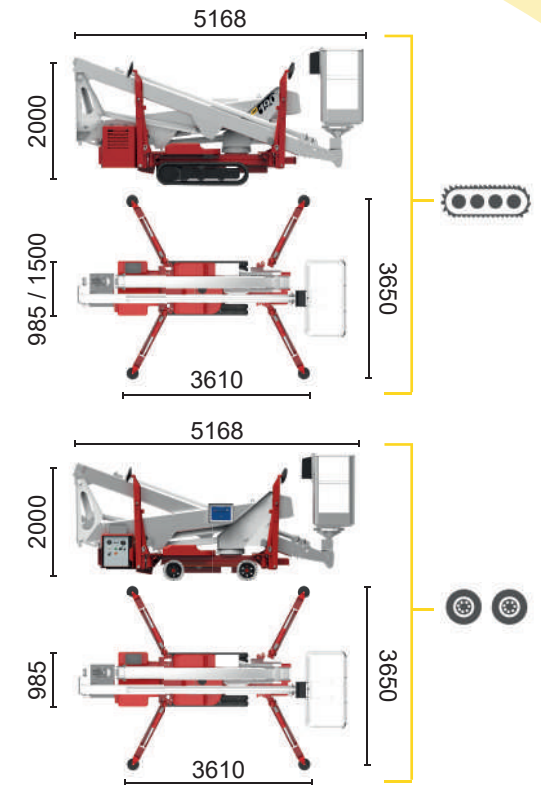
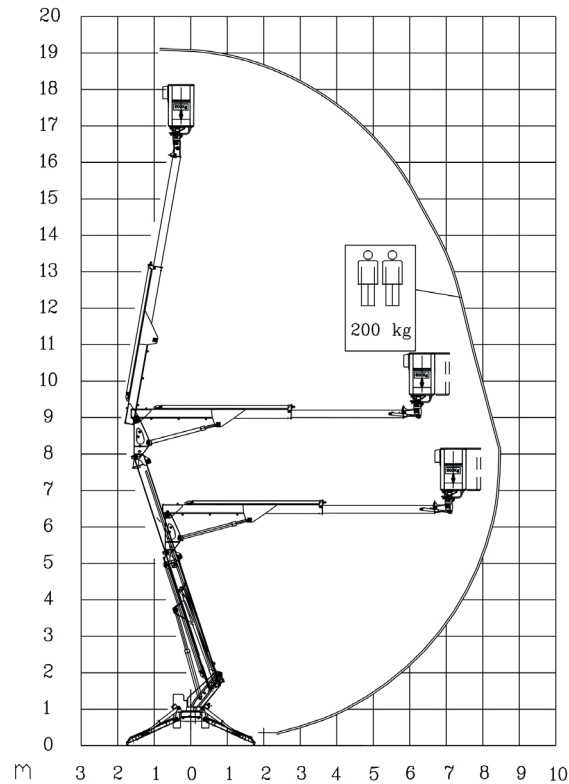






BI-ENERGY

 Diesel
10,6 kW

 Single-phase
Electric motor
230 VAC - 2,5 kW



TZX 190/C		19 m	8,5 m	200 kg	360°	140x70 cm	90°+90°	3,65 m	21%	23%	2 km/h	2300 kg	16 kN	1,74 kN/m ²	3,18 kN/m ²
TZX 190/R		19 m	8,5 m	200 kg	360°	140x70 cm	90°+90°	3,65 m	21%	21%	1 km/h	2400 kg	16 kN	1,82 kN/m ²	3,32 kN/m ²

Available power options:
ECO (AC+BATTERY)

The technical data may deviate +/- 3% from the specified values.
 Characteristics and technical data are informative only and subjected to change without notice.

Palazzani Industrie S.p.A.
 Via del Pavione, 4 - 25050 - Paderno F.C. (BS) - Italy
 Tel. (+39) 0306857073
 info@palazzani.it
 www.palazzani.it



NC 958 A 24