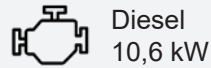




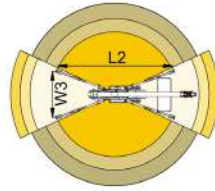
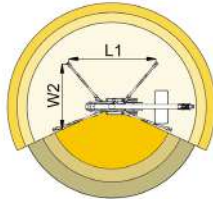
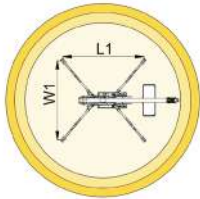
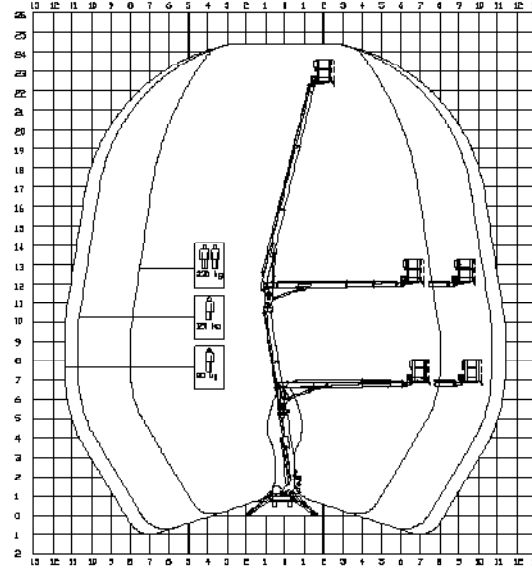
BI-ENERGY



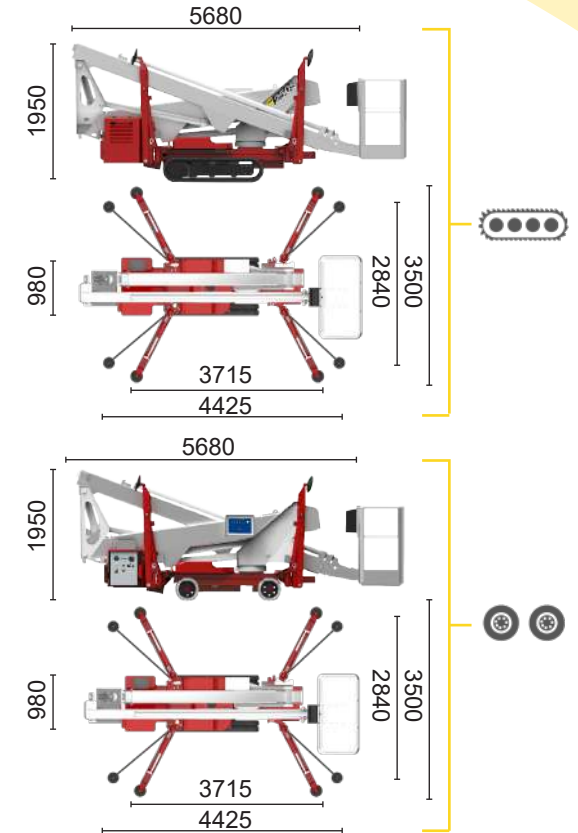
Diesel
10,6 kW



Single-phase
Electric motor
230 VAC - 2,5 kW



| | | | | | | | | | | |
|--------|--------|--------|--------|--------|-------|---------|---------|---------|---------|---------|
| 8 m | 10,7 m | 11,4 m | 6,4 m | 8,3 m | 8,9 m | L1 | L2 | W1 | W2 | W3 |
| 230 kg | 120 kg | 80 kg | 230 kg | 120 kg | 80 kg | 3715 mm | 4425 mm | 3500 mm | 3176 mm | 2840 mm |



| | | | | | | | | | | | | | | | |
|-------------------|--|--------|--------|--------|------|-----------|---------|------------|-----|-----|----------|---------|---------|------------------------|-----------------------|
| TZX 250S/C | | 24,4 m | 10,7 m | 230 kg | 360° | 140x70 cm | 60°+60° | 2,84-3,5 m | 19% | 23% | 2,4 km/h | 2700 kg | 19,5 kN | 2,07 kN/m ² | 3,4 kN/m ² |
| TZX 250S/R | | 24,4 m | 10,7 m | 230 kg | 360° | 140x70 cm | 60°+60° | 2,84-3,5 m | 19% | 21% | 1,5 km/h | 2700 kg | 19,5 kN | 2,07 kN/m ² | 3,4 kN/m ² |

Available power options:

ECO (AC+BATTERY)

The technical data may deviate +/- 3 % from the specified values.

Characteristics and technical data are informative only and subjected to change without notice.

Palazzani Industrie S.p.A.

Via del Pavione, 4 - 25050 - Paderno F.C. (BS) - Italy

Tel. (+39) 0306857073

info@palazzani.it

www.palazzani.it



NC 954 A 24