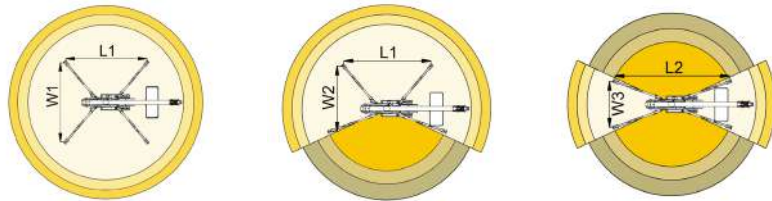
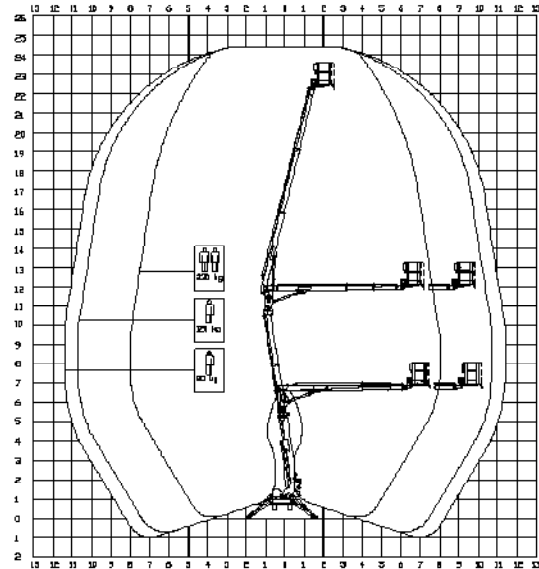




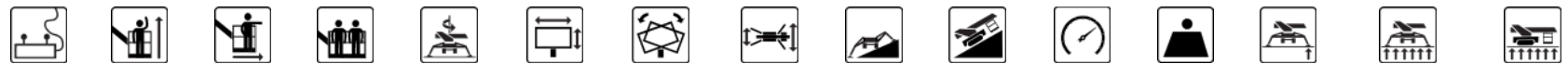
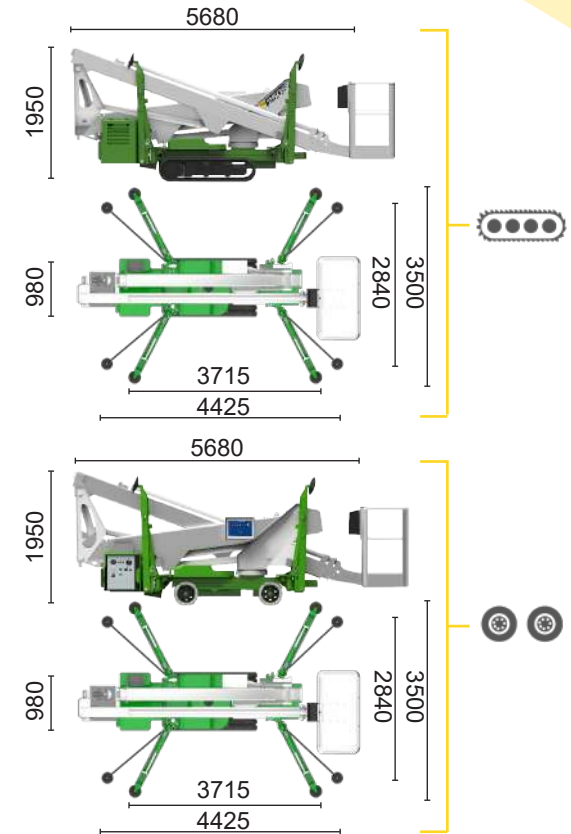
ECO

Inverter actuated
Electric motor
5,5 kW

Lithium iron
phosphate battery
LiFePO4 - 10,8 kWh
(24 V - 420 Ah)



8 m	10,7 m	11,4 m	6,4 m	8,3 m	8,9 m	L1	L2	W1	W2	W3
230 kg	120 kg	80 kg	230 kg	120 kg	80 kg	3715 mm	4425 mm	3500 mm	3176 mm	2840 mm



TZX 250S/C		24,4 m	10,7 m	230 kg	360°	140x70 cm	60°+60°	2,84-3,5 m	19%	23%	2,4 km/h	2700 kg	19,5 kN	2,07 kN/m ²	3,4 kN/m ²
TZX 250S/R		24,4 m	10,7 m	230 kg	360°	140x70 cm	60°+60°	2,84-3,5 m	19%	21%	1 km/h	2700 kg	19,5 kN	2,07 kN/m ²	3,4 kN/m ²

Available power options:

BI-ENERGY

The technical data may deviate +/- 3 % from the specified values.

Characteristics and technical data are informative only and subjected to change without notice.

Palazzani Industrie S.p.A.

Via del Pavione, 4 - 25050 - Paderno F.C. (BS) - Italy

Tel. (+39) 0306857073

info@palazzani.it

www.palazzani.it



NC 955 A 24