



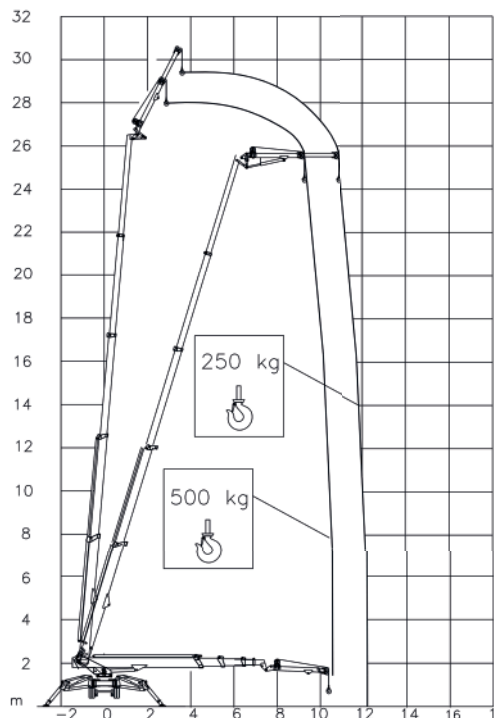
ECO



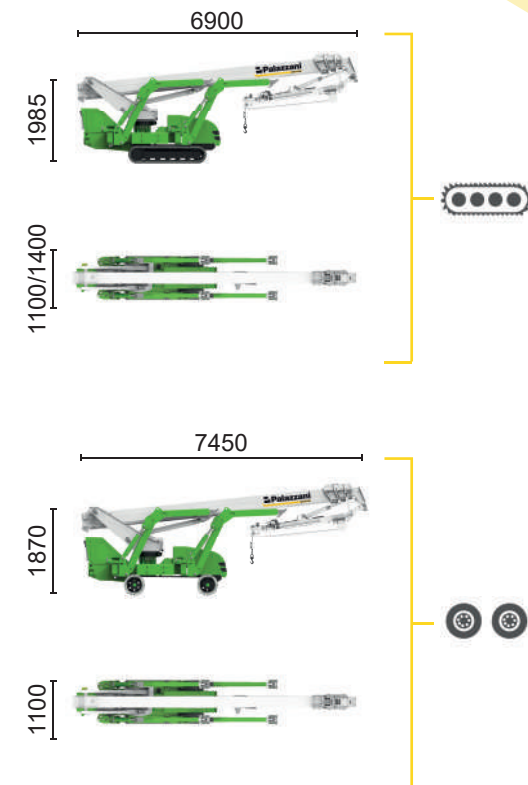
Inverter actuated
Electric motor
16 kW



Lithium iron
phosphate battery
LiFePO4 - 21,5 kWh
(48 V - 420 Ah)



500 kg	250 kg
10 m	11,6 m



Model	Track/Wheel	Reach (m)	Height (m)	Capacity (kg)	Rotation (°)	Dimensions (cm)	Max. Angle (°)	Min. Height (m)	Max. Height (m)	Max. Slope (%)	Travel Speed (km/h)	Weight (kg)	Capacity (kN)	Pressure (kN/m²)	Pressure (kN/m²)
XTJ 32/C	Track	31	11,6	500	660°	180x70	90°+80°	2,82-4,76	16%	32%	1,2	5940	35	2,43	4,78
XTJ 32/R	Wheels	31	11,6	500	660°	180x70	90°+80°	2,82-4,76	16%	18%	1,2	5940	35	2,43	4,78

Available power options:
BI-ENERGY (DIESEL+AC)

The technical data may deviate +/- 3% from the specified values.
Characteristics and technical data are informative only and subjected to change without notice.

Palazzani Industrie S.p.A.
Via del Pavione, 4 - 25050 - Paderno F.C. (BS) - Italy
Tel. (+39) 0306857073
info@palazzani.it
www.palazzani.it



NC 938 A 24