



BI-ENERGY



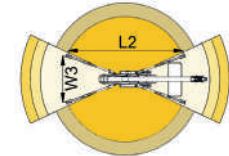
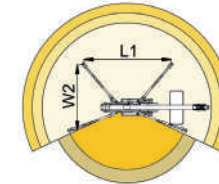
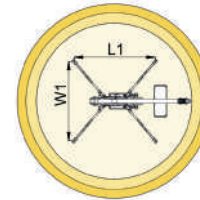
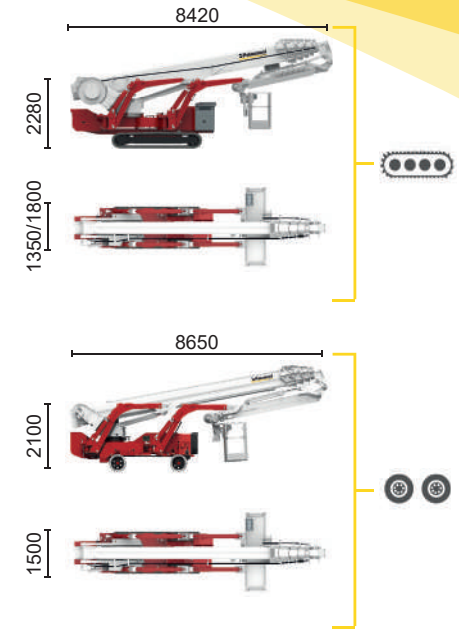
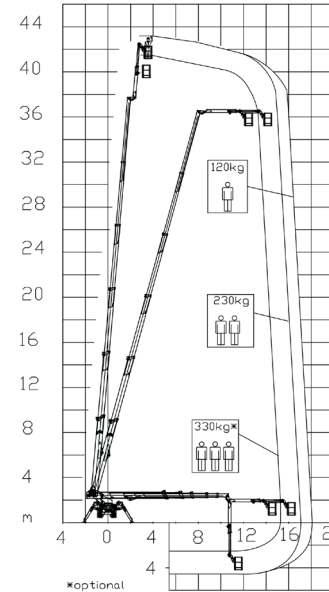
Diesel
32,5 kW



Single-phase
Electric motor
230 VAC - 2,2 kW



Three-phase
Electric motor
400 VAC - 5,5 kW



15,2 m	17 m	18 m	11,8 m	13,5 m	L1	L2	W1	W2	W3
330 kg*	230 kg	120 kg	330 kg*	120/230 kg	5945 mm	7095 mm	5230 mm	4435 mm	3640 mm



XTJ 43+/C	XTJ 43+/R	43 m	18 m	330 kg*	660°	240x70 cm	90°+80°	3,64-5,23 m	23%	38%	2 km/h	11150 kg	75 kN	3,58 kN/m2	5,52 kN/m2
		43 m	18 m	330 kg*	660°	240x70 cm	90°+80°	3,64-5,23 m	23%	16%	1,4 km/h	11150 kg	75 kN	3,58 kN/m2	5,37 kN/m2

Available power options:
ECO (AC+BATTERY)

The technical data may deviate +/- 3 % from the specified values.
Characteristics and technical data are informative only and subjected to change without notice.

Palazzani Industrie S.p.A.
Via del Pavione, 4 - 25050 - Paderno F.C. (BS) - Italy
Tel. (+39) 0306857073
info@palazzani.it
www.palazzani.it



NC 945 A 24