



ECO



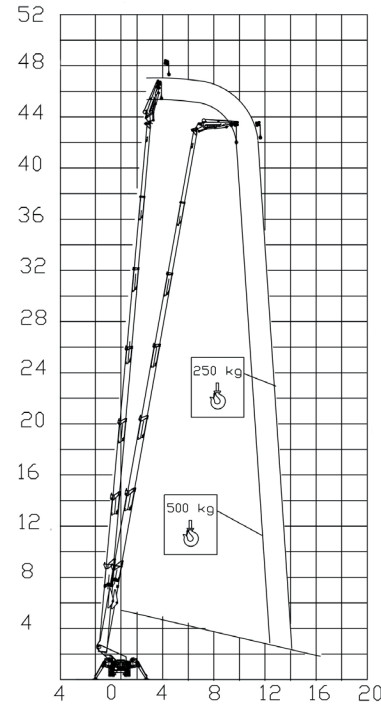
Inverter actuated
Electric motor
16 kW



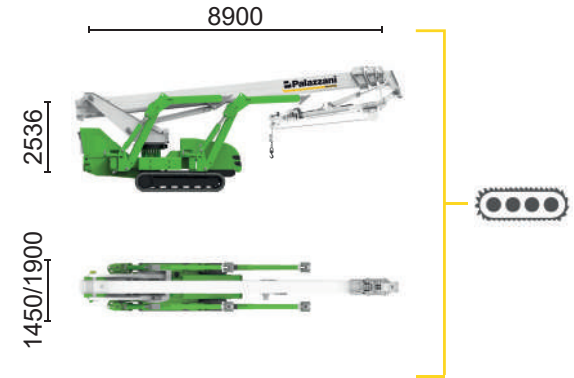
Lithium iron
phosphate battery
LiFePO4 - 29,1 kWh
(48 V - 570 Ah)



Type 2 plug charge



500 kg	250 kg
12,5 m	16,5 m



XTJ 48.1+/C



48 m

16,5 m

500 kg

660°

240x70 cm

90°+80°

4,13-5,17 m

16%

42%

1,2 km/h

14980 kg

95 kN

4,48 kN/m2

7,01 kN/m2

Available power options:

BI-ENERGY (DIESEL+AC)

The technical data may deviate +/- 3 % from the specified values.

Characteristics and technical data are informative only and subjected to change without notice.

Palazzani Industrie S.p.A.

Via del Pavione, 4 - 25050 - Paderno F.C. (BS) - Italy

Tel. (+39) 0306857073

info@palazzani.it

www.palazzani.it



NC 1029 A 25