



**ECO**



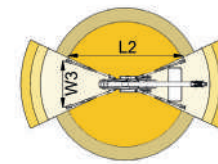
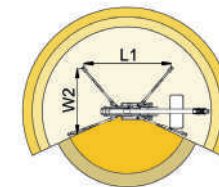
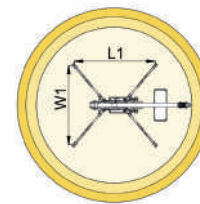
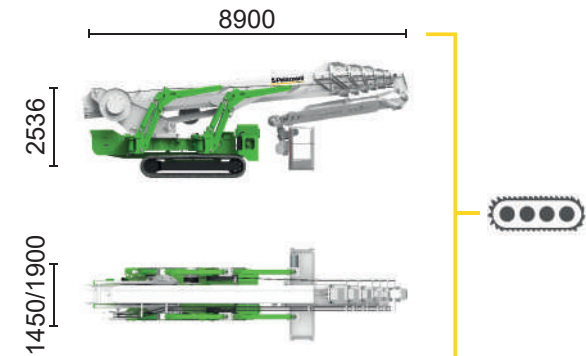
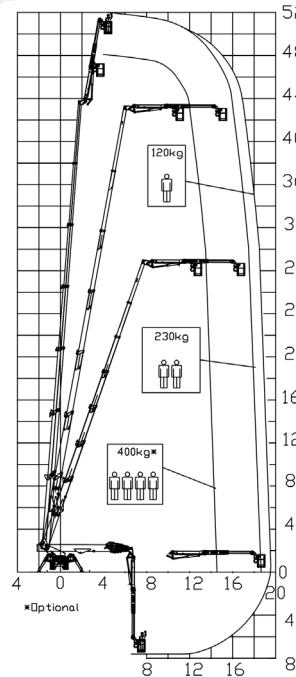
Inverter actuated  
Electric motor  
16 kW



Lithium iron  
phosphate battery  
LiFePO4 - 29,1 kWh  
(48 V - 570 Ah)



Type 2 plug charge



14,5 m	18,5 m	19,5 m	12,5 m	16,5 m	L1	L2	W1	W2	W3
400 kg*	230 kg	120 kg	400 kg*	120/230 kg	6460 mm	7190 mm	5170 mm	4655 mm	4130 mm



**XTJ 52+/C**  52 m 19,5 m 400 kg\* 660° 240x70 cm 90°+80° 4,13-5,17 m 16% 42% 2 km/h 15000 kg 95 kN 4,49 kN/m2 7,02 kN/m2

Available power options:  
**BI-ENERGY** (DIESEL+AC)

The technical data may deviate +/- 3 % from the specified values.  
Characteristics and technical data are informative only and subjected to change without notice.

Palazzani Industrie S.p.A.  
Via del Pavione, 4 - 25050 - Paderno F.C. (BS) - Italy  
Tel. (+39) 0306857073  
info@palazzani.it  
www.palazzani.it



NC 995 A 24