



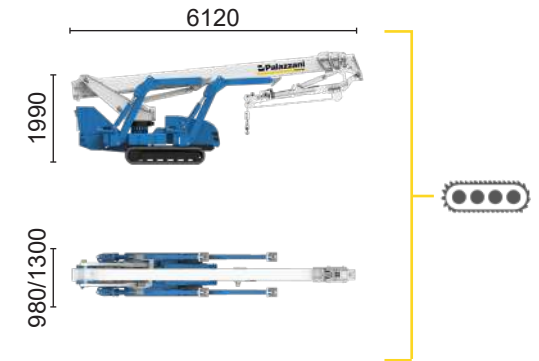
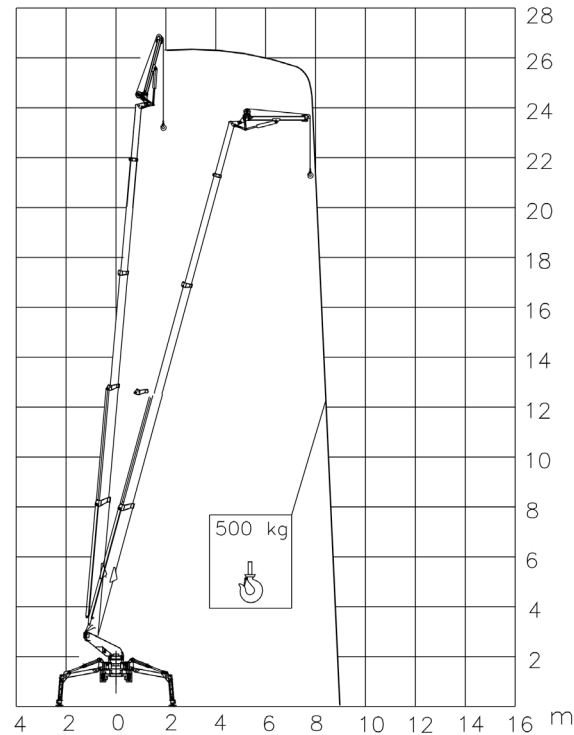


HYBRID²

 Diesel
10,6 kW

 Inverter actuated
Electric motor
5,5 kW


 Lithium iron
phosphate battery
LiFePO4 - 10,7 kWh
(48 V - 210 Ah)



TSJ 27/C  25,5 m 9 m 500 kg 660° 180x70 cm 90°+80° 2,86-4,79 m 44% 42% 1,2 km/h 4950 kg 29 kN 2,09 kN/m² 4,49 kN/m²

Available power options:

 **BI-ENERGY** (DIESEL+AC)

 **ECO** (AC+BATTERY)

The technical data may deviate +/- 3% from the specified values.

Characteristics and technical data are informative only and subjected to change without notice.

Palazzani Industrie S.p.A.

Via del Pavione, 4 - 25050 - Paderno F.C. (BS) - Italy

Tel. (+39) 0306857073

info@palazzani.it

www.palazzani.it



NC 913 A 24